

© 本手册由浙江容合电气有限公司印制，仅用于说明部分产品相关的信息。随时可能因技术升级或采用新的生产工艺而改进本手册相关内容，或对本手册的印刷错误及不准确的信息进行必要的改进和更改，恕不另行通知。
© This manual is printed by Zhejiang Ronghe Electric Co., Ltd. and is only used to illustrate some product-related information. The relevant content of this manual may be improved at any time due to technological upgrades or the adoption of new production processes, or necessary improvements and changes may be made to the typographical errors and inaccurate information in this manual without notice.

浙江容合电气有限公司
ZHEJIANG RONGHE ELECTRIC CO., LTD.

珍惜资源，善待环境
Cherish resources, be kind to the environment.



浙江容合电气有限公司

ZHEJIANG RONG HE ELECTRIC CO.,LTD.

地址：浙江省温州市乐清市柳市镇
柳乐路 501 号长虹工业园二栋
电话：0571-6171 9383
传真：0571-6171 9373
网址：www.zjronghe.com

Address: Building 2, Changhong Industrial Park, No. 501, Liule Road,
Liushi Town, Yueqing City, Wenzhou City, Zhejiang Province
Tel: 0571-6171 9383
Fax: 0571-6171 9373
Web: www.zjronghe.com



电子画册



手机网站

浙江容合电气有限公司
ZHEJIANG RONG HE ELECTRIC CO.,LTD.



有容乃大 合成天下

TOLERANCE IS GREAT, SYNTHESIZING THE WORLD

COMPANY PROFILE 公司简介

浙江容合电气有限公司是一家技术导向型输配电设备制造企业，同时也是一家在传统和科技创新中诞生的新型企业。公司致力于中国电力工业的繁荣和发展，服务于中压、高压、成套一体化供应模式；专注于 12kV-40.5kV 充气柜、环保柜、常压柜核心部件的研发和生产。产品适用于电力、铁路、石化、地铁、市政建设、军工、钢铁、煤炭等行业。

容合电气总部位于“中国电器之都”柳市镇核心区。公司注重产品的创新与发展，技术力量雄厚，生产工艺先进，检验设施齐全，已全面实施 ERP 软件系统管理，并取得 ISO9001 质量管理体系认证、ISO14001 环境管理体系认证和 ISO18001 职业健康安全管理体系认证。公司产品在环保化、小型化、智能化、免维护等方面实现了多项技术突破。是充气柜、环保柜、常压柜核心部件优质集成供应商。

容合人将与时代同步，以稳健的步伐迈向未来！欢迎广大企业、用户和我们联系，我们将本着用最好的产品，为用户提供最好的服务宗旨，竭诚为您服务！

www.zjronghe.com

Zhejiang Ronghe Electric Co., Ltd. is a technology-oriented power transmission and distribution equipment manufacturing enterprise, but also a new type of enterprise born in tradition and scientific and technological innovation. The company is committed to the prosperity and development of China's electric power industry, serving the integrated supply model of medium voltage, high voltage and complete sets; focusing on the research and development and production of core components of 12kV-40.5kV inflatable cabinets, environmental protection cabinets, and atmospheric pressure cabinets. Products are suitable for electric power, railway, petrochemical, subway, municipal construction, military industry, steel, coal and other industries.

Ronghe Electric is headquartered in the core district of Liushi Town, the "Electrical Capital of China". The company pays attention to product innovation and development, has strong technical force, advanced production technology, complete inspection facilities, has fully implemented ERP software system management, and obtained ISO9001 quality management system certification, ISO14001 environmental management system certification and ISO18001 occupational health and safety management system certification. The company's products have achieved a number of technological breakthroughs in environmental protection, miniaturization, intelligence, and maintenance-free aspects. It is a high-quality integrated supplier of core components of inflatable cabinets, environmental protection cabinets, and atmospheric pressure cabinets.

Ronghe people will keep pace with the times and move towards the future at a steady pace! Enterprises and users are welcome to contact us. We will serve you wholeheartedly in line with the purpose of using the best products and providing users with the best service!





先进的加工设备是企业实力的象征、完美的检测手段是优良品质的保证。我们深知先进的设备是优秀企业必备的条件。公司自成立之初就对把设备的革新与改造从未有过一丝松懈，同时为设备的改造与革新投入了大量的资金，这些先进的设备给优质生产带来了极大的方便和极高的效率，从而保证了产品的质量，满足了需求。

Advanced processing equipment is a symbol of enterprise strength, and perfect testing methods are the guarantee of excellent quality. We know that advanced equipment is a necessary condition for an excellent enterprise. Since its inception, the company has never been lax in the innovation and transformation of equipment. At the same time, it has invested a lot of money in the transformation and innovation of equipment. These advanced equipment have brought great convenience and high benefits to high-quality production, thus ensuring product quality and meeting demand.

PRODUCTION PROCESS 生产设备



Widely Used 广泛应用

多年来，公司的足迹遍布全国，广泛服务于电力、电信、冶金、石化、环保、建筑等领域，为祖国的经济建设留下了无数个辉煌的杰作。

我们的每一处工程无不体现容合电气的优良品质，通过与合作者们卓越成效的努力，使容合品牌深得用户的喜爱和信赖并得到专家的肯定。



环保气体柜真空断路器 + 隔离开关 RHSV-12D/630-20-X	01
环保气体柜断路器机构 + 隔离机构 RHSVM-12/630-20-X RHSGM-12D/630-20-X	03
环保气体柜真空断路器 + 隔离开关 RHSV-12D/630-20-S	05
环保气体柜断路器机构 + 隔离机构 RHSVM-12/630-20-S RHSGM-12D/630-20-S	07
环保气体柜隔离开关 RHSG-12D/630-20	09
环保气体柜隔离机构 RHSGM-12D/630-20	11
真空断路器 + 隔离开关 RHV-40.5/630-20 RHG-40.5D/630-20	13
断路器机构 + 隔离机构 RHVM-40.5/630-20-X RHGM-40.5D/630-20-X	15
负荷开关 RHK-40.5D/630-20	17
进线机构 RHCM-40.5D/630-20-X	19
真空断路器 + 隔离开关 RHV-24D/630-20	21
断路器机构 + 隔离机构 RHVM-24/630-20-X RHGM-24D/630-20-X	23
负荷开关 RHK-24D/630-20	25
进线机构 RHCM-24D/630-20	27

目录 CONTENTS

真空断路器 + 隔离开关 RHV-12D/630-20	29
断路器机构 + 隔离机构 RHVM-12/630-20-X RHGM-12D/630-20-X	31
真空断路器 + 隔离开关 RHV-12D/800-20	33
断路器机构 + 隔离机构 RHVM-12/800-20-X RHGM-12D/800-20-X	35
真空断路器 + 隔离开关 RHV-12D/1250-25	37
断路器机构 + 隔离机构 RHVM-12/1250-25-X RHGM-12D/1250-20-X	39
真空断路器 + 隔离开关 RHV-12D/630-20-S	41
断路器机构 + 隔离机构 RHVM-12/630-20-S RHGM-12D/630-20-S	43
负荷开关 RHK-12D/630-20	45
负荷开关 RHK-12D/800-20	47
负荷开关 RHK-12D/1250-20	49
接地开关 RHJD-12	51
进线机构 RHCM-12D/630-20	53
出线机构 RHFM-12D/630-20	55

www.zjronghe.com

国网 / 南网中标企业优质供应商

RHELE
容合电气



RHSV-12D/630-20-X

环保气体柜真空断路器 + 隔离开关

VACUUM CIRCUIT BREAKER AND DISCONNECTOR FOR ENVIRONMENTALLY FRIENDLY SWITCHGEAR



国网 / 南网中标企业优质供应商



产品概述 Summary

RHSV-12D/630-20-X 环保气体柜真空断路器 + 隔离开关具有易安装、维修少、寿命长、体积小、成本低安全可靠等优点。该产品符合 GB 1984-2014 《高压交流断路器》，GB/T 1985-2023 《高压交流隔离开关和接地开关》等相关标准规范的要求。主回路短时耐受电流满足 20kA(4s)、25kA(3s)，断路器机械寿命 10000 次，隔离开关机械寿命 3000 次。接地开关短时耐受电流满足 20kA(4s)，机械寿命 3000 次。

RHSV-12D/630-20-X vacuum circuit breaker and disconnect for environmentally friendly switchgear has the advantages of easy installation, less maintenance, long life, small size, cheap, safe and reliable. This product complies with the requirements of relevant standards and specifications such as GB 1984-2014 "High-voltage alternating-current circuit-breakers" and GB/T 1985-2023 "High-voltage alternating-current disconnectors and earthing switches". The short-time withstand current of the main circuit meets 20kA (4s) or 25kA (3s), the mechanical life of the circuit breaker is 10000 times, and the mechanical life of the disconnect is 3000 times. The short-term withstand current of the earthing switches meets 20kA (4s), and the mechanical life is 3000 times.

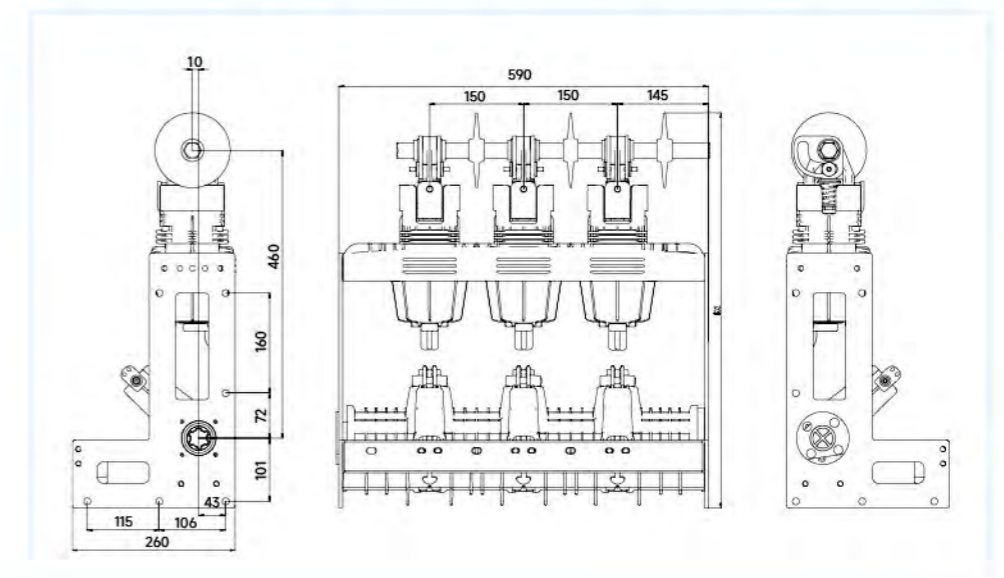
型号及其含义 Model and meaning

RH	S	V	12	D	630	20	X
企业代号 Company code	环保柜 Environmentally friendly switchgear	真空断路器 + 隔离开关 Vacuum circuit breaker+Disconnect	额定电压 Rated voltage	接地型式 Earthing type	额定电流 Rated current	额定短时耐受电流 Rated short-term withstand current	下隔离 Lower isolation

主要技术参数 Main technical parameters

序号 Serial Number	内容 Content	单位 Company	技术参数 Technical Parameter
1	主回路电阻 Circuit Resistance	$\mu\Omega$	≤ 60
2	超程 Over Travel	mm	2-3
3	开距 Clearance Between Open Contacts	mm	8-10
4	弹跳 Contact Bounce Duration at Closing Operation	ms	≤ 2
5	分闸平均速度 Average Opening Speed	m/s	1.1-1.6
6	合闸平均速度 Average Closing Speed	m/s	0.6-1.2
7	分闸三相不同期 Out of Simultaneity of Contact Opening	ms	≤ 2
8	合闸三相不同期 Out of Simultaneity of Contact Closing	ms	≤ 2

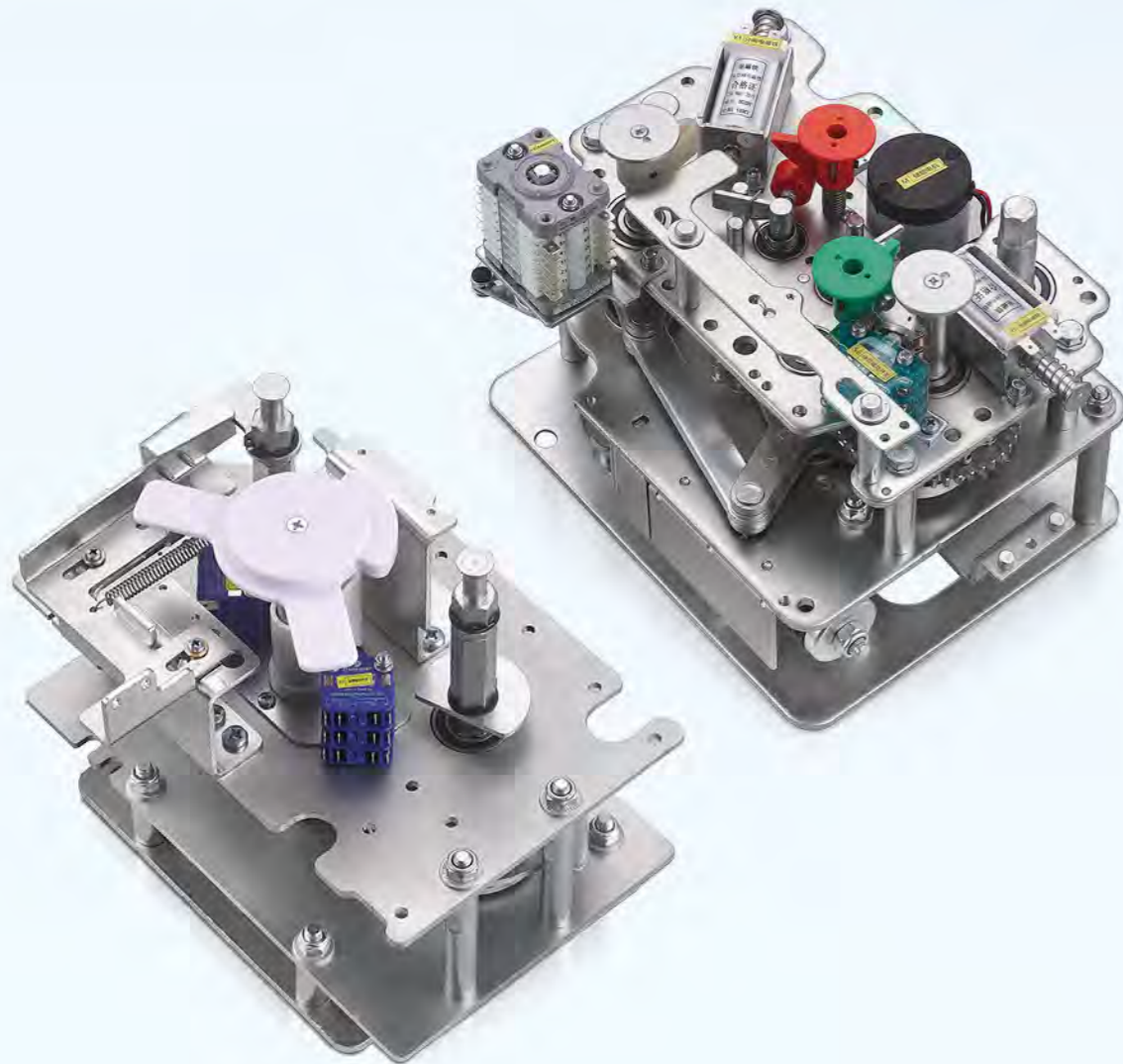
外形及安装尺寸图 Outline and installation dimension drawing



RHSVM-12/630-20-X RHSGM-12D/630-20-X

环保气体柜断路器机构 + 隔离机构

CIRCUIT BREAKER AND DISCONNECTOR OPERATING DEVICE FOR ENVIRONMENTALLY FRIENDLY SWITCHGEAR



国网 / 南网中标企业优质供应商



产品概述 Summary

RHSVM-12/630-20-X 环保气体柜断路器机构 + 隔离机构是适用于环保气体柜内断路器开关合、分闸操作的配套设备，该系列断路器机构采用拉伸弹簧过中点控制断路器的合闸动作，分闸操作采用了压缩弹簧蓄能控制，该产品具有重合闸功能，与隔离机构组合使用时具有联锁功能，可靠性高，机械寿命可达 10000 次以上。本系列产品全检合格后出厂，符合 GB1984-2014 《高压交流断路器》，GB/T 1985-2023 《高压交流隔离开关和接地开关》等相关标准规范的要求。

RHSVM3-12/630-20-X Circuit Breaker and Disconnecter operating device for environmentally friendly switchgear is suitable for environmentally friendly switchgear circuit breaker switch, switch operation of the supporting equipment, this series of circuit breaker mechanism uses a stretch spring over the center point to control the closing action of the circuit breaker. Opening operation adopts compression spring energy storage control, the product has reclosing function, interlocking function when combined with isolation mechanism, high reliability, mechanical life can reach more than 10,000 times. This series of products are delivered after full inspection, Complies with the requirements of relevant standards and specifications such as GB1984-2014 High-voltage alternating-current circuit-breakers, GB/T 1985-2023 " High-voltage alternating-current disconnectors and earthing switches".

型号及其含义 Model and meaning

RH	S	VM	12	630	20	X
企业代号 Company code	环保柜 Environmentally friendly switchgear	断路器机构 Circuit breaker mechanism	断路器 额定电压 Rated circuit breaker voltage	断路器 额定电流 Circuit breaker rated current	断路器额定短时 耐受电流 Rated short- time withstand current of circuit breaker	下隔离 Lower isolation

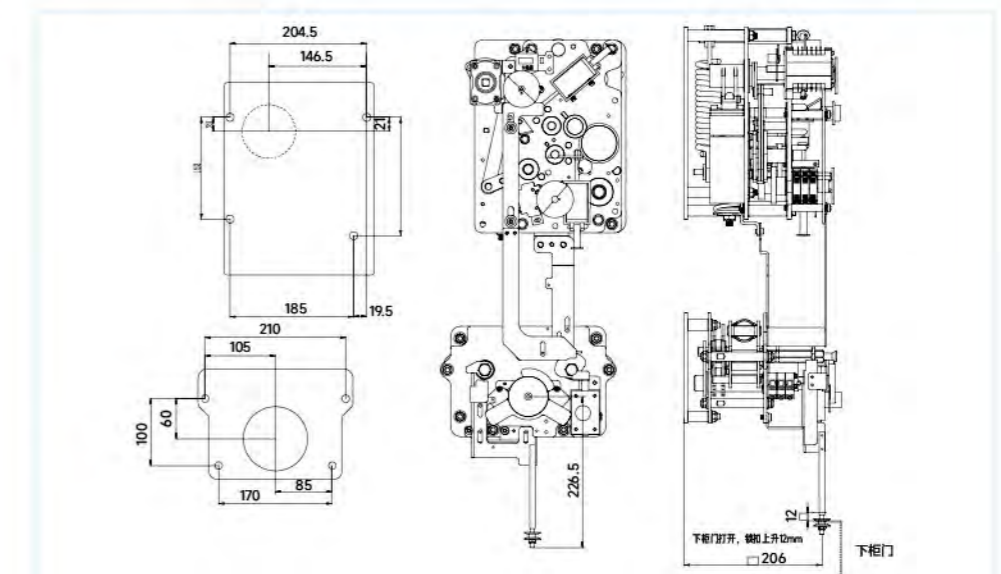
使用操作说明 Operation instructions

○ 储能操作：
机构上柜安装固定，将机构专用手柄套入位于机构右下部的操作转轴，顺时针旋转手柄至“咔哒”一声（此时储能指示转轴将储能微动顶至完全闭合状态）储能到位。电动操作时，机构上电后将自动运行储能，储能到位后电机回路断开，储能保持，等待释能合闸（电动操作时须保证二次线路准确无误）。

○ 合闸操作：
手动操作时手动按绿色按钮，瞬间释放合闸储能，机构推动断路器开关完成主回路合闸。电动操作时给合闸电磁铁线圈上电，由合闸电磁铁瞬间动作释放储能，机构推动断路器开关完成主回路合闸，同时对分闸弹簧进行储能（此时可继续储能但在防误联锁的作用下无法进行再次合闸操作）。

○ 分闸操作：
手动操作时手动按红色按钮，瞬间释放分闸储能，机构推动断路器开关完成主回路分闸。电动操作时给分闸电磁铁线圈上电，由分闸电磁铁瞬间动作释放储能，机构推动断路器开关完成主回路分闸。

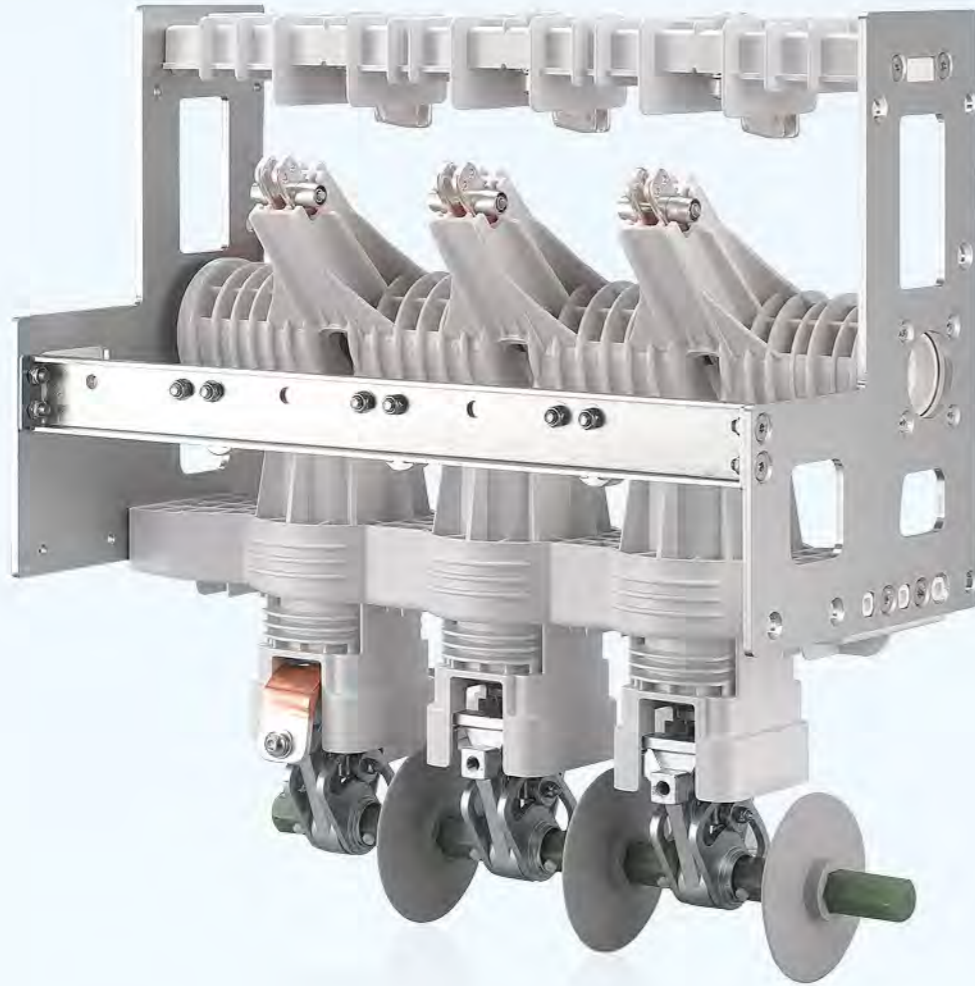
外形及安装尺寸图 Outline and installation dimension drawing



RHSV-12D/630-20-S

环保气体柜真空断路器 + 隔离开关

VACUUM CIRCUIT BREAKER AND DISCONNECTOR FOR ENVIRONMENTALLY FRIENDLY SWITCHGEAR



国网 / 南网中标企业优质供应商



产品概述 Summary

RHSV-12D/630-20-S 环保气体柜真空断路器 + 隔离开关具有易安装、维修少、寿命长、体积小、价格便宜安全可靠等优点。该产品符合 GB 1984-2014 《高压交流断路器》，GB/T 1985-2023 《高压交流隔离开关和接地开关》等相关标准规范的要求。主回路短时耐受电流满足 20kA(4s)、25kA(3s)，断路器机械寿命 10000 次，隔离开关机械寿命 3000 次。接地开关短时耐受电流满足 20kA(4s)，机械寿命 3000 次。

RHSV-12D/630-20-S vacuum circuit breaker and disconnect for environmentally friendly switchgear has the advantages of easy installation, less maintenance, long life, small size, cheap, safe and reliable. This product complies with the requirements of relevant standards and specifications such as GB 1984-2014 "High-voltage alternating-current circuit-breakers" and GB/T 1985-2023 "High-voltage alternating-current disconnectors and earthing switches". The short-time withstand current of the main circuit meets 20kA (4s) or 25kA (3s), the mechanical life of the circuit breaker is 10000 times, and the mechanical life of the disconnect is 3000 times. The short-term withstand current of the earthing switches meets 20kA (4s), and the mechanical life is 3000 times.

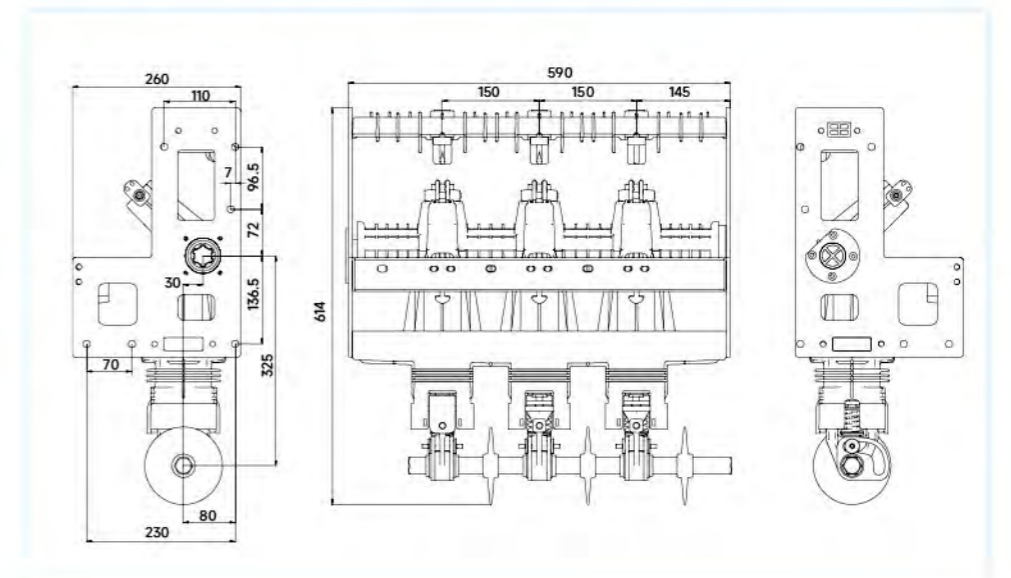
型号及其含义 Model and meaning

RH	S	V	12	D	630	20	s
企业代号 Company code	环保柜 Environmentally friendly switchgear	真空断路器带隔离开关 Vacuum circuit breaker with isolating switch	额定电压 Rated voltage	接地型式 Earthing type	额定电流 Rated current	短时耐受电流 Short-term withstand current	上隔离 Upper isolation

主要技术参数 Main technical parameters

序号 Serial Number	内容 Content	单位 Company	技术参数 Technical Parameter
1	主回路电阻 Circuit Resistance	uΩ	≤ 60
2	超程 Over Travel	mm	2-3
3	开距 Clearance Between Open Contacts	mm	8-10
4	弹跳 Contact Bounce Duration at Closing Operation	ms	≤ 2
5	分闸平均速度 Average Opening Speed	m/s	1.1-1.6
6	合闸平均速度 Average Closing Speed	m/s	0.6-1.2
7	分闸三相不同期 Out of Simultaneity of Contact Opening	ms	≤ 2
8	合闸三相不同期 Out of Simultaneity of Contact Closing	ms	≤ 2

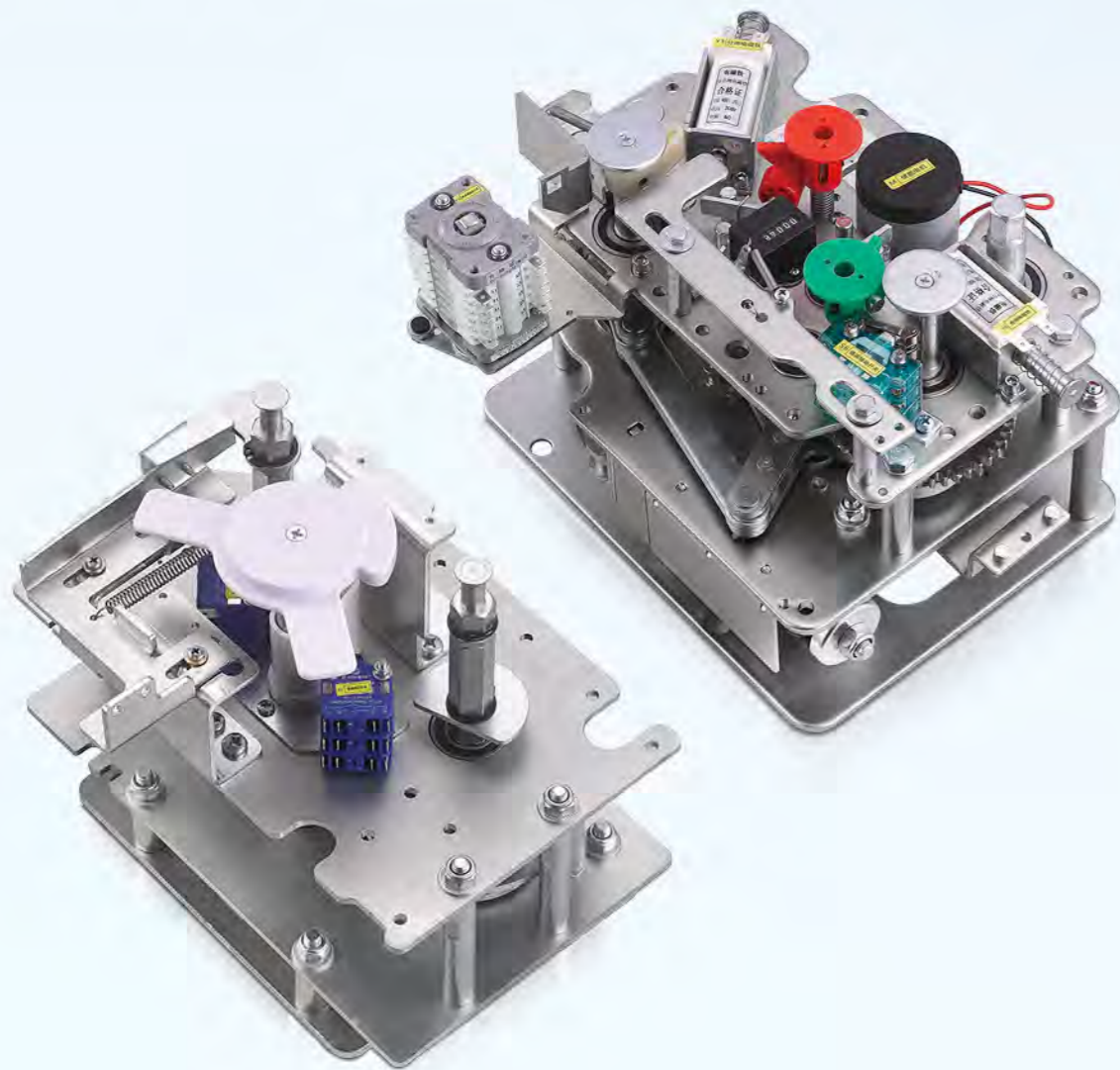
外形及安装尺寸图 Outline and installation dimension drawing



RHSVM-12/630-20-S RHSGM-12D/630-20-S

环保气体柜断路器机构 + 隔离机构

CIRCUIT BREAKER AND DISCONNECTOR OPERATING DEVICE FOR ENVIRONMENTALLY FRIENDLY SWITCHGEAR



国网 / 南网中标企业优质供应商



产品概述 Summary

RHSVM-12/630-20-S 环保气体柜断路器机构 + 隔离机构是适用于环保气体柜内断路器开关合、分闸操作的配套设备，该系列断路器机构采用拉伸弹簧过中点控制断路器的合闸动作，分闸操作采用了压缩弹簧蓄能控制，该产品具有重合闸功能，与隔离机构组合使用时具有联锁功能，可靠性高，机械寿命可达 10000 次以上。本系列产品全检合格后出厂，符合 GB1984-2014 《高压交流断路器》，GB/T 1985-2023 《高压交流隔离开关和接地开关》等相关标准规范的要求。

RHSVM-12/630-20-S Circuit Breaker and Disconnecting operating device for environmentally friendly switchgear is suitable for environmentally friendly switchgear circuit breaker switch, switch operation of the supporting equipment, this series of circuit breaker mechanism uses a stretch spring over the center point to control the closing action of the circuit breaker. Opening operation adopts compression spring energy storage control, the product has reclosing function, interlocking function when combined with isolation mechanism, high reliability, mechanical life can reach more than 10,000 times. This series of products are delivered after full inspection, Complies with the requirements of relevant standards and specifications such as GB1984-2014 High-voltage alternating-current circuit-breakers, GB/T 1985-2023 "High-voltage alternating-current disconnectors and earthing switches".

型号及其含义 Model and meaning

RH	S	VM	12	630	20	S
企业代号 Company code	环保柜 Environmentally friendly switchgear	断路器机构 Circuit breaker mechanism	断路器 额定电压 Rated circuit breaker voltage	断路器 额定电流 Circuit breaker rated current	断路器 额定电压 Rated circuit breaker voltage	上隔离 Upper isolation

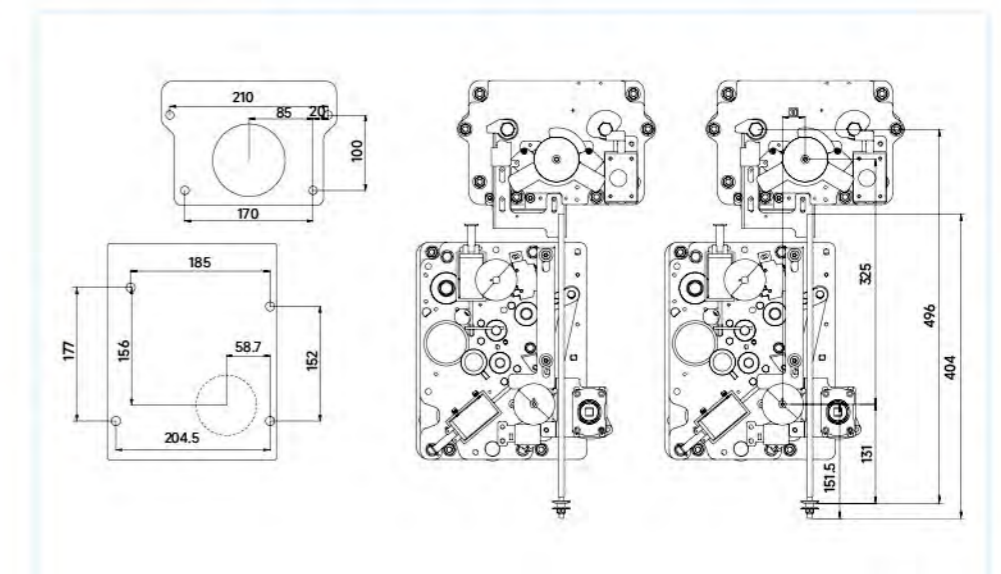
使用操作说明 Operation instructions

○ 储能操作：
机构上柜安装固定，将机构专用手柄套入位于机构右下部的操作转轴，顺时针旋转手柄至“咔哒”一声（此时储能指示转轴将储能微动顶至完全闭合状态）储能到位。电动操作时，机构上电后将自动运行储能，储能到位后电机回路断开，储能保持，等待释能合闸（电动操作时须保证二次线路准确无误）。

○ 合闸操作：
手动操作时手动按绿色按钮，瞬间释放合闸储能，机构推动断路器开关完成主回路合闸。电动操作时给合闸电磁铁线圈上电，由合闸电磁铁瞬间动作释放储能，机构推动断路器开关完成主回路合闸，同时对分闸弹簧进行储能（此时可继续储能但在防误联锁的作用下无法进行再次合闸操作）。

○ 分闸操作：
手动操作时手动按红色按钮，瞬间释放分闸储能，机构推动断路器开关完成主回路分闸。电动操作时给分闸电磁铁线圈上电，由分闸电磁铁瞬间动作释放储能，机构推动断路器开关完成主回路分闸。

外形及安装尺寸图 Outline and installation dimension drawing



RHSG-12D/630-20

环保气体柜隔离开关

DISCONNECTOR FOR ENVIRONMENTALLY FRIENDLY SWITCHGEAR



国网 / 南网中标企业优质供应商



产品概述 Summary

RHSG-12D/630-20 环保气体柜隔离开关具有易安装、维修少、寿命长、体积小、价格便宜安全可靠等优点。

该产品符合, GB/T 1985-2023《高压交流隔离开关和接地开关》等相关标准规范的要求。

主回路短时耐受电流满足 20kA(4s)、25kA(3s), 隔离开关机械寿命 3000 次。

接地开关短时耐受电流满足 20kA(4s), 机械寿命 3000 次。

RHSG-12D/630-20 Disconnecter for environmentally friendly switchgear has the advantages of easy installation, less maintenance, long life, small size, cheap, safe and reliable.

This product complies with the requirements of relevant standards and specifications such as GB/T 1985-2023 "High-voltage alternating-current disconnectors and earthing switches".

The short-time withstand current of the main circuit meets 20kA (4s) or 25kA (3s), the mechanical life of the disconnecter is 3000 times.

The short-term withstand current of the earthing switches meets 20kA (4s), and the mechanical life is 3000 times.

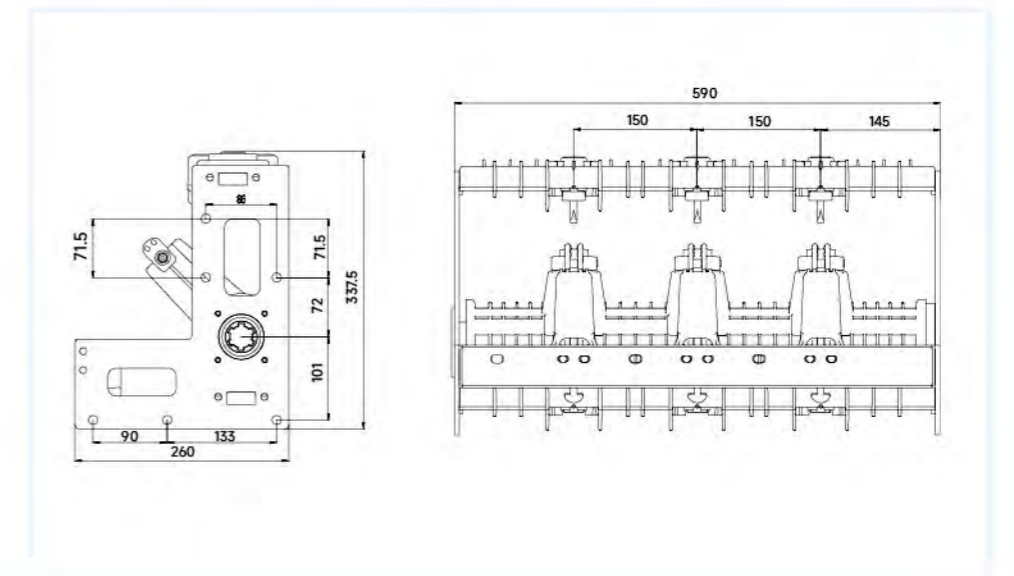
型号及其含义 Model and meaning

RH	S	G	12	D	630	20
企业代号 Company code	环保柜 Environmentally friendly switchgear	隔离开关 Disconnecter	额定电压 Rated voltage	接地型式 Earthing type	额定电流 Rated current	短时耐受电流 Short-term withstand current

主要技术参数 Main technical parameters

序号 Serial Number	内容 Content	单位 Company	技术参数 Technical Parameter
1	额定频率 Rated frequency	Hz	50
2	额定电流 Rated current	A	630
3	额定短时耐受电流 Rated short-time Withstand current	KA	20/25
4	额定短路持续时间 Rated short-circuit duration	S	4/3
5	额定短路关合电流 Rated short circuit closing current	KA	50/63

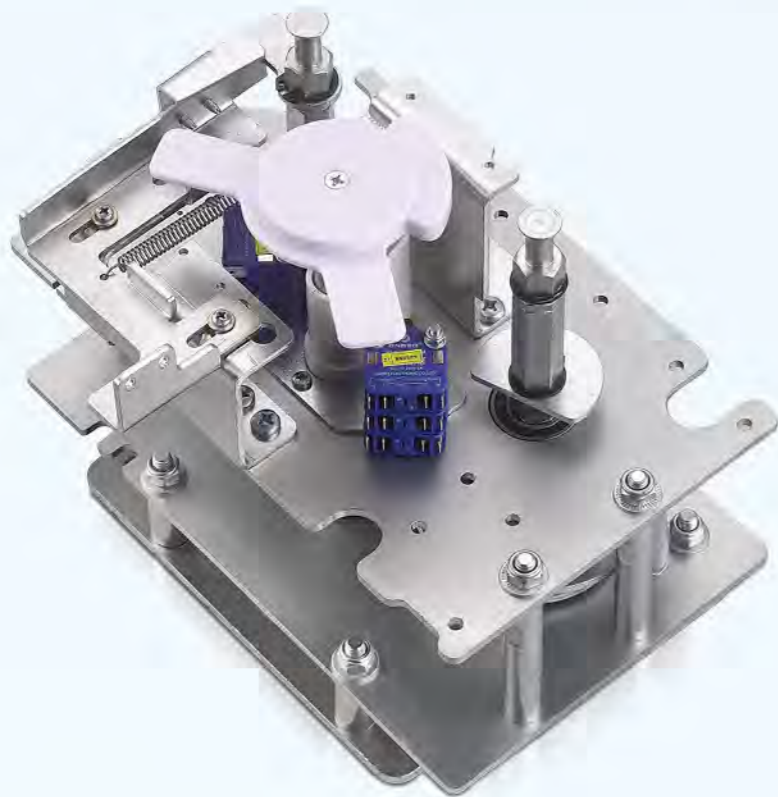
外形及安装尺寸图 Outline and installation dimension drawing



RHSGM-12D/630-20

环保气体柜隔离机构

DISCONNECTOR OPERATING DEVICE FOR ENVIRONMENTALLY FRIENDLY SWITCHGEAR



国网 / 南网中标企业优质供应商



产品概述 Summary

RHSGM-12D/630-20 系列隔离操作机构适用环保气体柜内隔离开关与接地开关分合闸操作的配套设备，本系列机构采用弹簧蓄能控制隔离开关的合、分动作，采用压缩弹簧过中蓄能控制接地开关的合、分动作。工作位置有合闸、分闸、接地三个操作工位，本系列产品具有五防联锁功能。

本系列产品全检合格后出厂，符合 GB/T 1985-2023 《高压交流隔离开关和接地开关》等相关标准规范的要求。

RHSGM-12D/630-20 Disconnecting operating device for environmentally friendly switchgear is suitable for environmentally friendly switchgear isolation switch and earthing switch operation of the supporting equipment, this series of mechanism uses the plane scroll spring energy storage to control the isolation switch, the compression spring energy storage to control the Earthing switch, the closing and parting action. The working position has three operating stations of closing, opening and Earthing, and this series of products has five anti-interlocking functions.

This series of products are delivered after full inspection, Complies with the requirements of relevant standards and specifications such as GB/T 1985-2023 "High-voltage alternating-current disconnectors and earthing switches".

型号及其含义 Model and meaning

RH	S	GM	12	630	20
企业代号 Company code	环保柜 Environmentally friendly switchgear	隔离机构 Isolation mechanism	开关额定电压 Rated switching voltage	开关额定电流 Rated switching current	开关额定短时 耐受电流 Rated time of switch Withstand current

使用操作说明 Operation instructions

○ 合闸操作:

先检查并确认产品正常无变形后，将机构和隔离开关通过三工位动配合在气箱板上安装固定。将专用六方手柄插入机构右侧的六方转轴上，逆时针旋转 90 度左右就可使隔离开关立马合闸。此合闸动作只能在接地分位状态下操作，当隔离处于合闸状态时，接地操作孔将被分合指示牌封闭，此时用户不得违反指示牌标识强行操作接地，否则将违反五防操作要求。

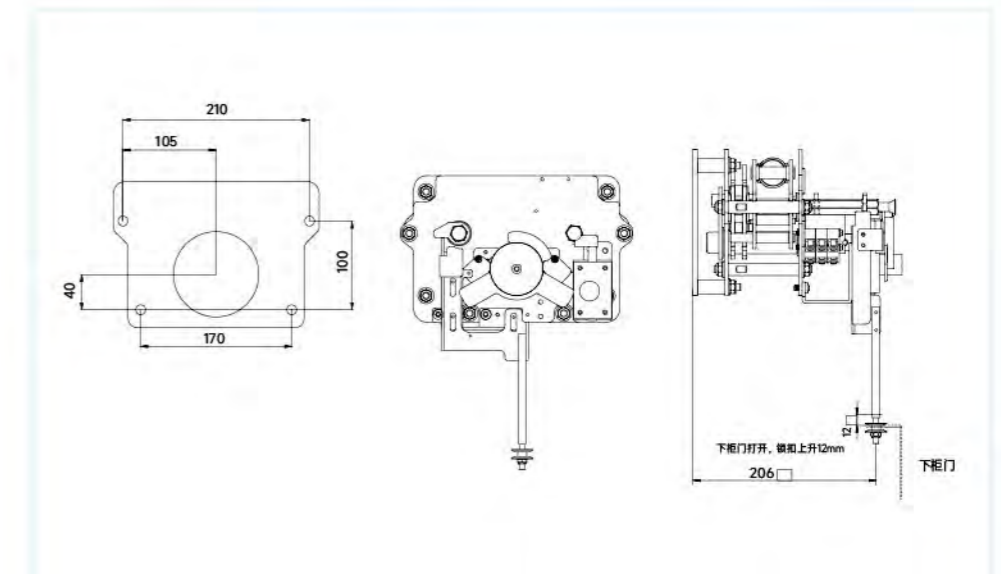
○ 分闸操作:

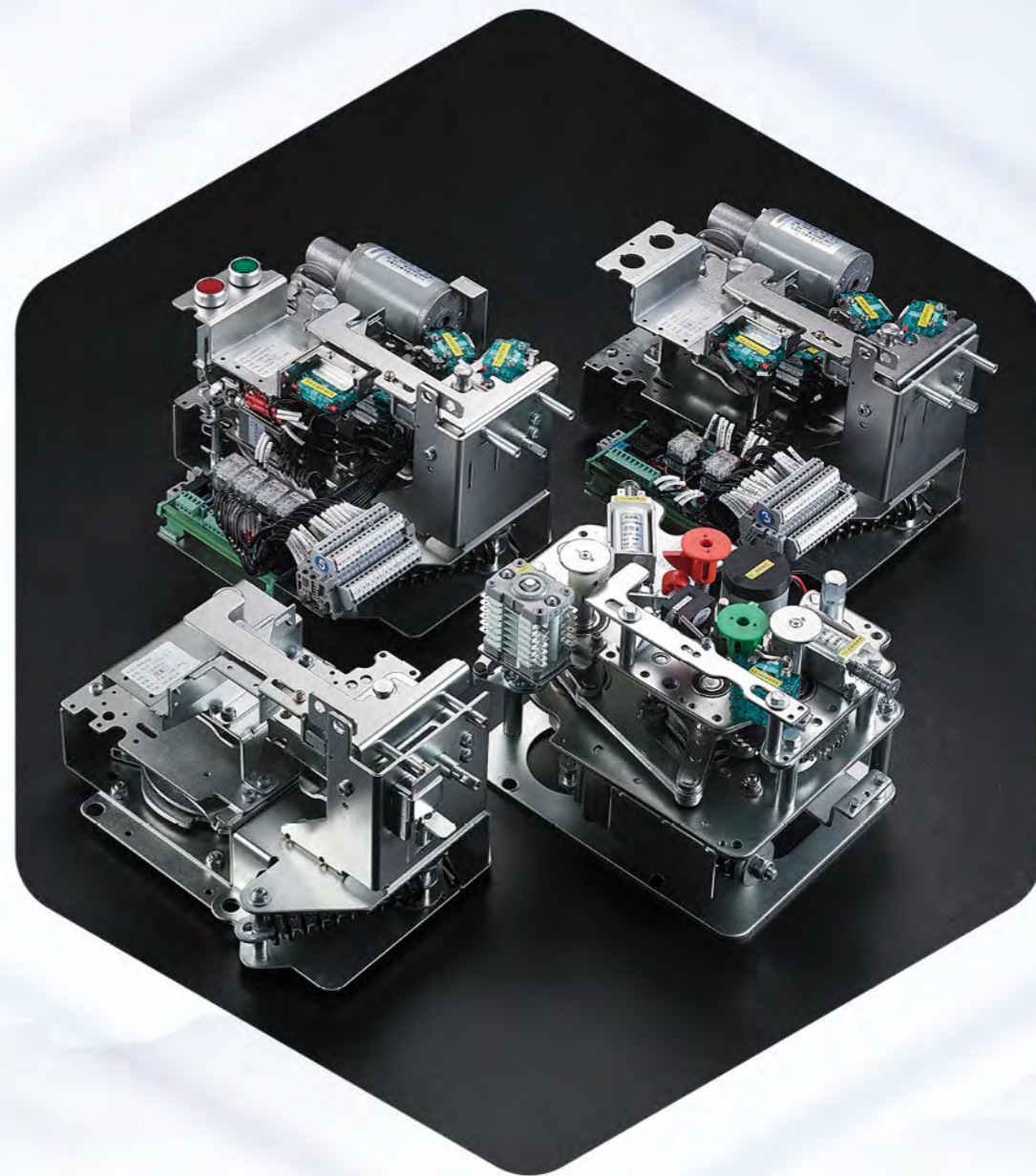
分闸时，将专用六方手柄插入机构上半部的六方转轴上，顺时针旋转 90 度左右使隔离开关立马分闸。当隔离机构处于分闸状态时，可进行隔离开关合闸或接地合闸操作。

○ 接地操作:

在隔离开关分位状态时，将专用六方手柄插入机构左侧的六方转轴上，顺时针旋转 90 度左右合上接地回路，逆时针旋转 90 度左右断开接地回路。当接地处于合闸状态时，隔离开关操作孔将被分合指示牌封闭，此时用户不得违反指示牌标识强行操作隔离开关，否则将违反五防操作要求。

外形及安装尺寸图 Outline and installation dimension drawing

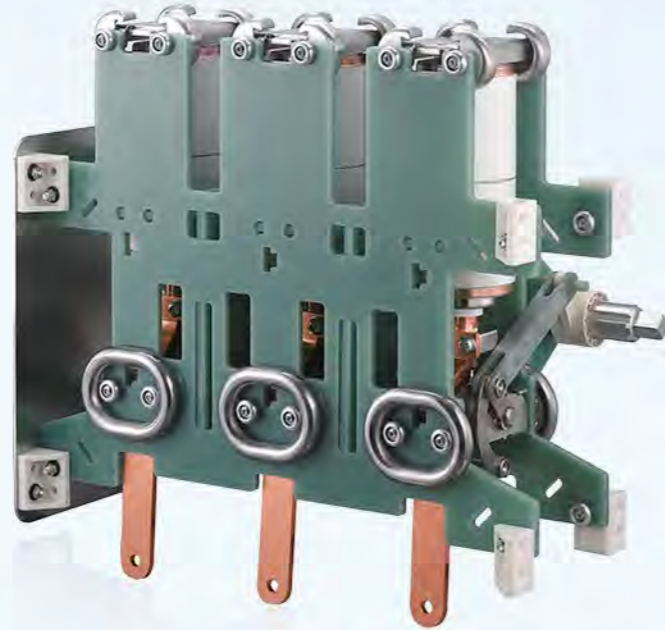




RHV-40.5/630-20 RHG-40.5D/630-20

真空断路器 + 隔离开关

VACUUM CIRCUIT BREAKER AND
DISCONNECTOR



国网 / 南网中标企业优质供应商



产品概述 Summary

RHV-40.5/630-20 真空断路器 + 隔离开关具有易安装、维修少、寿命长、体积小、价格便宜安全可靠等优点。

该产品符合符合 GB 1984-2014 《高压交流断路器》，GB/T 1985-2023 《高压交流隔离开关和接地开关》等相关标准规范的要求。主回路短时耐受电流满足 20kA(4s)、25kA(3s)，断路器机械寿命 10000 次，隔离开关机械寿命 3000 次

接地开关短时耐受电流满足 20kA(4s)，机械寿命 3000 次。

RHV-40.5/630-20 vacuum circuit breaker+isolating switch has the advantages of easy installation, less maintenance, long life, small size, cheap, safe and reliable.

The product meets the technical requirements of GB1984-89, GB/T1984-2003 AC high voltage circuit breaker.

The short-time withstand current of the main circuit meets 20kA (4s) or 25kA (3s), the mechanical life of the circuit breaker is 10000 times, and the mechanical life of the disconnecter is 3000 times.

The short-term withstand current of the earthing switches meets 20kA (4s), and the mechanical life is 3000 times.

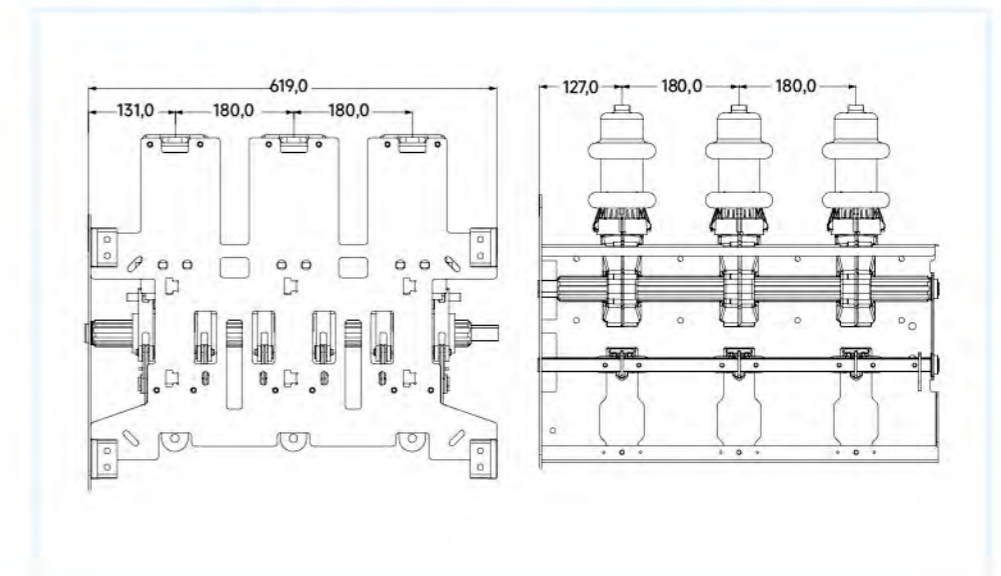
型号及其含义 Model and meaning

RH	V	40.5	630	20
企业代号 Company code	真空断路器带 隔离开关 Vacuum circuit breaker with isolating switch	额定电压 Rated voltage	额定电流 Rated current	短时耐受电流 Short-term withstand current

主要技术参数 Main technical parameters

序号 Serial Number	内容 Content	单位 Company	技术参数 Technical Parameter
1	主回路电阻 Circuit Resistance	uΩ	≤ 60
2	超程 Over Travel	mm	2-3
3	开距 Clearance Between Open Contacts	mm	16-18
4	弹跳 Contact Bounce Duration at Closing Operation	ms	≤ 2
5	分闸平均速度 Average Opening Speed	m/s	1.4-2.0
6	合闸平均速度 Average Closing Speed	m/s	1.0-1.6
7	分闸三相不同期 Out of Simultaneity of Contact Opening	ms	≤ 2
8	合闸三相不同期 Out of Simultaneity of Contact Closing	ms	≤ 2

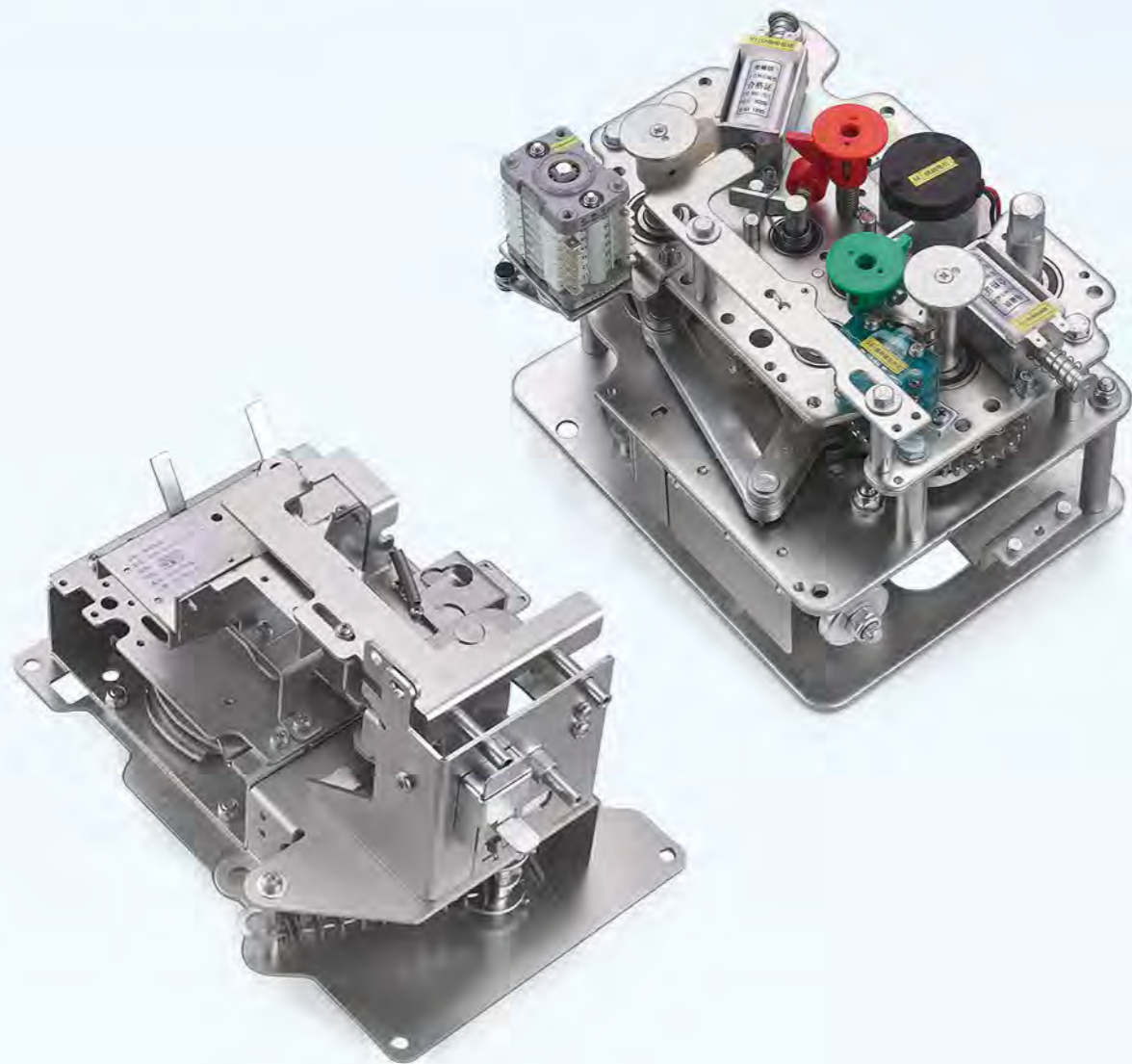
外形及安装尺寸图 Outline and installation dimension drawing



RHVM-40.5/630-20-X RHGM-40.5D/630-20-X

断路器机构 + 隔离机构

CIRCUIT-BREAKER OPERATING DEVICE AND DISCONNECTOR OPERATING DEVICE



国网 / 南网中标企业优质供应商



产品概述 Summary

RHVM-40.5/630-20-X 系列断路器机构是适用于充式高压环网柜内断路器开合、分闸操作的配设备。该系列断路器机构采用拉伸弹簧过中点控制断路器的合闸动作，分闸操作采用了压缩弹簧蓄能控制。该产品具重合闸功能，与隔离机构组合使用时具有联锁功能，可靠性高，机械寿命可达 10000 次以上。

分体式按钮是指按钮本体安装在机构按钮柱，按钮操作部分带有防尘防误罩，安装于柜体面板，以满足防尘防误的功能要求。

该产品符合 GB 1984-2014 《高压交流断路器》，GB/T 1985-2023 《高压交流隔离开关和接地开关》等相关标准规范的要求。

RHVM-40.5/630-20-X series circuit breaker is suitable for the circuit breaker switch in the filled high voltage ring network cabinet, the series circuit breaker adopts the stretch elastic over the center point to control the closing action of the circuit breaker, the opening operation adopts the compression spring energy storage control. The product has reclosing function, interlocking function when combined with isolation mechanism, high reliability, mechanical life up to 10000 times.

The split type button means that the button body is installed in the mechanism button column, and the operation part of the button is equipped with a dust and error proof cover, which is installed in the cabinet panel to meet the functional requirements of dust and error prevention. This product complies with the requirements of relevant standards and specifications such as GB 1984-2014 "High-voltage alternating-current circuit-breakers" and GB/T 1985-2023 "High-voltage alternating-current disconnectors and earthing switches".

型号及其含义 Model and meaning

RH	VM	40.5	630	20	X
企业代号 Company code	断路器机构 Circuit breaker operating device	断路器额定电压 Rated circuit breaker voltage	断路器额定电流 Circuit breaker rated current	断路器额定短时耐受电流 Rated short-time withstand current of circuit breaker	下隔离 Lower isolation

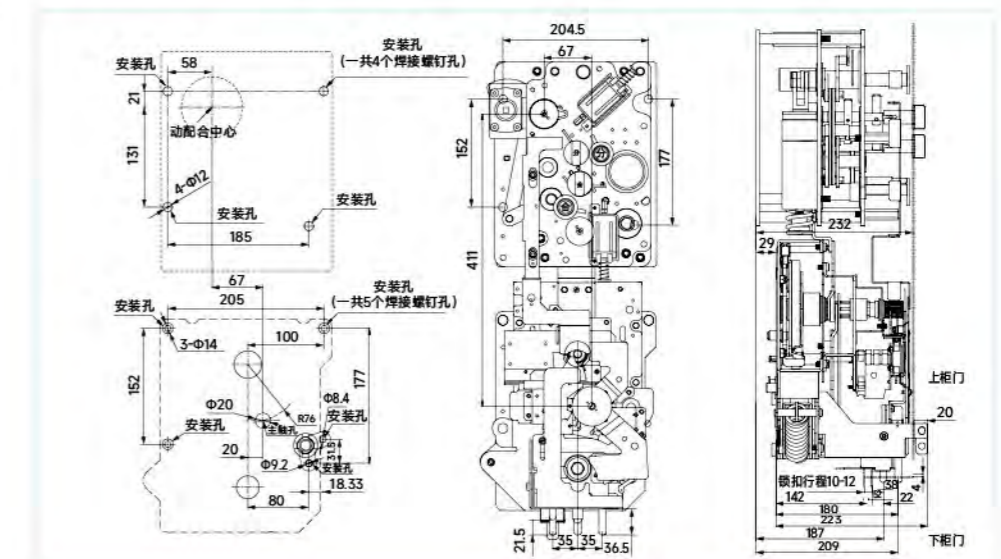
使用操作说明 Operation instructions

○ 储能操作：
机构上柜安装固定，将机构专用手柄套入位于机构右下部的操作转轴，顺时针旋转手柄至“咔哒”一声（此时储能指示转轴将储能微动顶至完全闭合状态）储能到位。电动操作时，机构上电后将自动运行储能，储能到位后电机回路断开，储能保持，等待释能合闸（电动操作时必须保证二次线路准确无误）。

○ 合闸操作：
手动操作时手动按绿色按钮，瞬间释放合闸储能，机构推动断路器开关完成主回路合闸。电动操作时给合闸电磁铁线圈上电，由合闸电磁铁瞬间动作释放储能，机构推动断路器开关完成主回路合闸，同时对分闸弹簧进行储能（此时可继续储能但在防误联锁的作用下无法进行再次合闸操作）。

○ 分闸操作：
手动操作时手动按红色按钮，瞬间释放分闸储能，机构推动断路器开关完成主回路分闸。电动操作时给分闸电磁铁线圈上电，由分闸电磁铁瞬间动作释放储能，机构推动断路器开关完成主回路分闸。

外形及安装尺寸图 Outline and installation dimension drawing



RHK-40.5D/630-20

负荷开关

LOAD SWITCH



国网 / 南网中标企业优质供应商



产品概述 Summary

RHK-40.5D/630-20 负荷开关符合 GB 3804-2017《3.6kV-40.5kV 高压交流负荷开关》、GB16926-2009《交流高压负荷开关-熔断器组合电器》和 GB/T 1985-2023《高压交流隔离开关和接地开关》等相关标准规范的要求主回路短时耐受电流满足 20kA(4s)、25kA (3s), 负荷开关机械寿命 5000 次。接地开关短时耐受电流满足 20kA(4s), 机械寿命 3000 次。

RHK-40.5D/630-20 load switch complies with the relevant requirements of GB3804-2017 "3.6kV-40.5kV High Voltage AC load switch" and GB16926-2009 "AC high Voltage load switch and Fuse combination Electrical Appliances". The short-time withstand current of the main circuit meets 20kA (4s) or 25kA (3s), the mechanical life of the Load switch is 5000 times. The short-term withstand current of the earthing switches meets 20kA (4s), and the mechanical life is 3000 times.

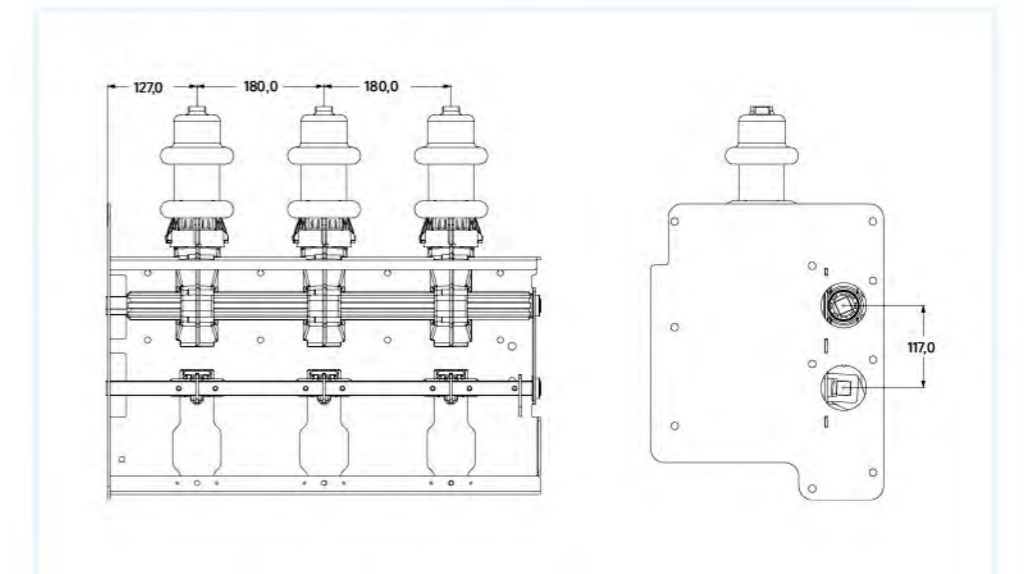
型号及其含义 Model and meaning

RH	K	40.5	D	630	20
企业代号 Company code	负荷开关 Load switch	额定电压 Rated voltage	接地型式 Earthing type	额定电流 Rated current	短时耐受电流 Short-term withstand current

主要技术参数 Main technical parameters

序号 Serial Number	内容 Content	单位 Company	技术参数 Technical Parameter
1	额定频率 Rated frequency	Hz	50
2	额定电流 Rated current	A	630
3	额定短时耐受电流 Rated short-time Withstand current	KA	20/25
4	额定短路持续时间 Rated Duration of Short-circuit	S	4
5	额定短路关合电流 Rated Short-circuit Making	KA	50

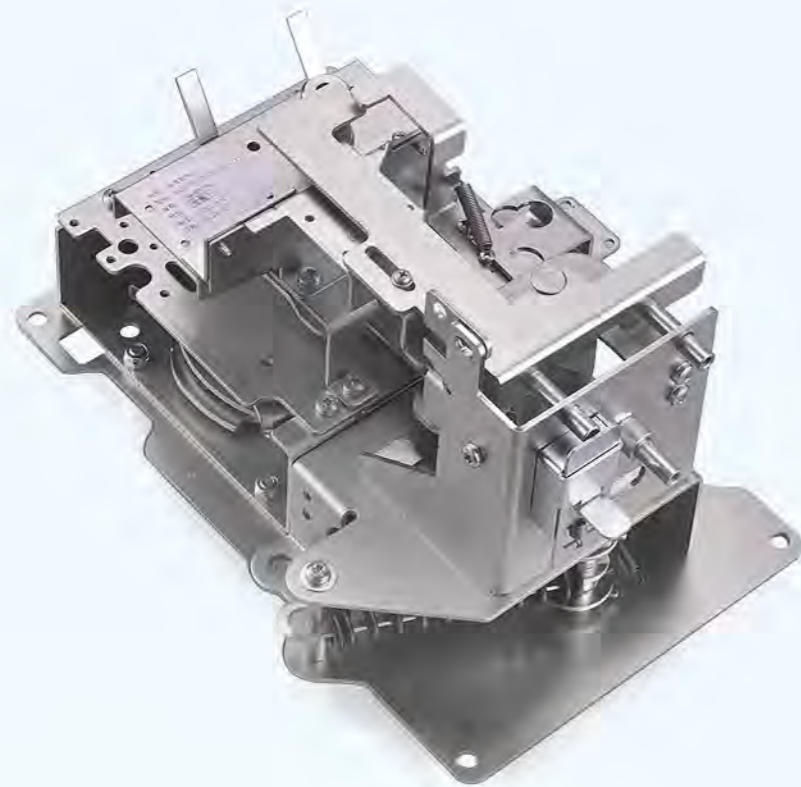
外形及安装尺寸图 Outline and installation dimension drawing



RHCM-40.5D/630-20-X

进线机构

ENTRY MECHANISM



国网 / 南网中标企业优质供应商



产品概述 Summary

RHCM-40.5/630-20-X 系列断路器机构是适用于充式高压环网柜内断路器开合、分闸操作的配设备。该系列断路器机构采用拉伸弹簧过中点控制断路器的合闸动作，分闸操作采用了压缩弹簧蓄能控制。该产品具重合闸功能，与隔离机构组合使用时具有联锁功能，可靠性高，机械寿命可达 10000 次以上。

分体式按钮是指按钮本体安装在机构按钮柱，按钮操作部分带有防尘防误罩，安装于柜体面板，以满足防尘防误的功能要求。

该产品符合 GB 1984-2014 《高压交流断路器》，GB/T 1985-2023 《高压交流隔离开关和接地开关》等相关标准规范的要求。

RHCM-40.5/630-20-X series circuit breaker is suitable for the circuit breaker switch in the filled high voltage ring network cabinet, the series circuit breaker adopts the stretch elastic over the center point to control the closing action of the circuit breaker, the opening operation adopts the compression spring energy storage control. The product has reclosing function, interlocking function when combined with isolation mechanism, high reliability, mechanical life up to 10000 times.

The split type button means that the button body is installed in the mechanism button column, and the operation part of the button is equipped with a dust and error proof cover, which is installed in the cabinet panel to meet the functional requirements of dust and error prevention. This product complies with the requirements of relevant standards and specifications such as GB 1984-2014 "High-voltage alternating-current circuit-breakers" and GB/T 1985-2023 "High-voltage alternating-current disconnectors and earthing switches".

型号及其含义 Model and meaning

RH	S	CM	40.5	630	20	X
企业代号 Company code	环保柜 Environmentally friendly switchgear	进线机构 Entry mechanism	断路器额定电压 Rated circuit breaker voltage	断路器额定电流 Circuit breaker rated current	断路器额定短时耐受电流 Rated short-time withstand current of circuit breaker	下隔离 Lower isolation

使用操作说明 Operation instructions

○ 储能操作:

机构上柜安装固定，将机构专用手柄套入位于机构右下部的操作转轴，顺时针旋转手柄至“咔哒”一声（此时储能指示转轴将储能微动顶至完全闭合状态）储能到位。电动操作时，机构上电后将自动运行储能，储能到位后电机回路断开，储能保持，等待释能合闸（电动操作时必须保证二次线路准确无误）。

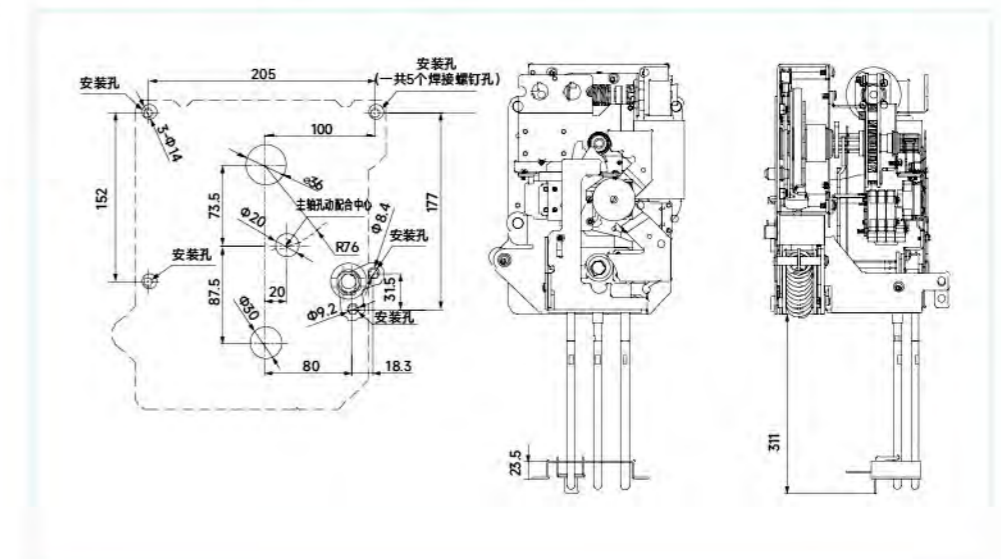
○ 合闸操作:

手动操作时手动按绿色按钮，瞬间释放合闸储能，机构推动断路器开关完成主回路合闸。电动操作时给合闸电磁铁线圈上电，由合闸电磁铁瞬间动作释放储能，机构推动断路器开关完成主回路合闸，同时对分闸弹簧进行储能（此时可继续储能但在防误联锁的作用下无法进行再次合闸操作）。

○ 分闸操作:

手动操作时手动按红色按钮，瞬间释放分闸储能，机构推动断路器开关完成主回路分闸。电动操作时给分闸电磁铁线圈上电，由分闸电磁铁瞬间动作释放储能，机构推动断路器开关完成主回路分闸。

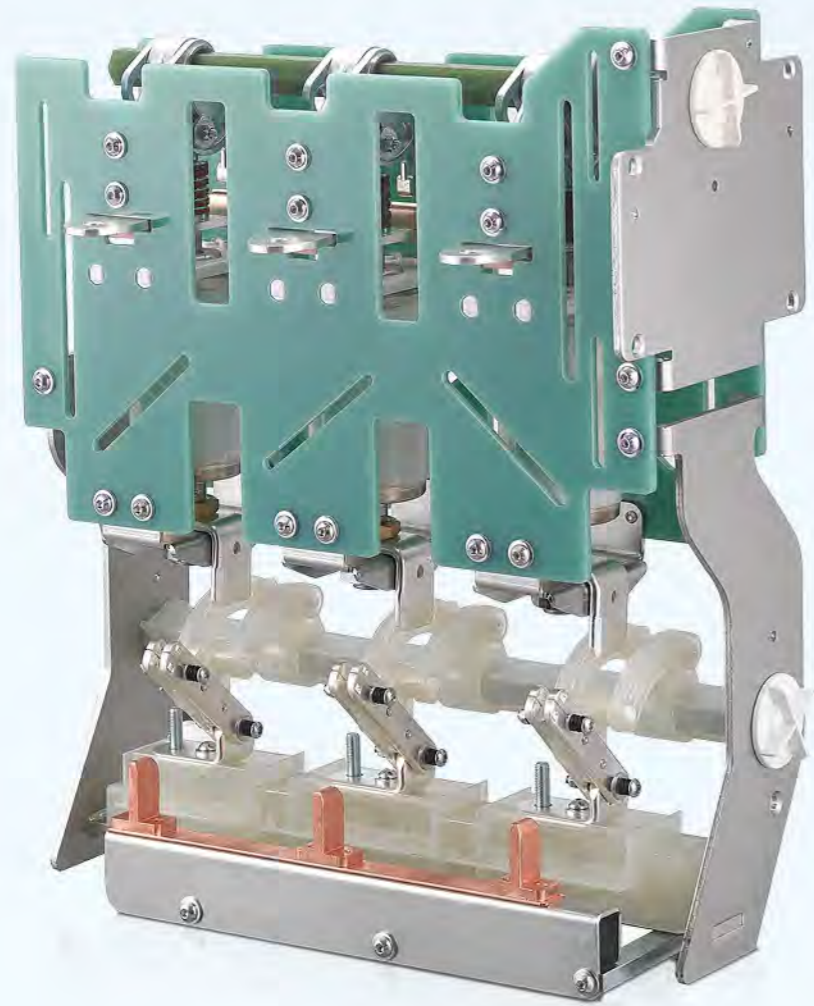
外形及安装尺寸图 Outline and installation dimension drawing



RHV-24D/630-20

真空断路器 + 隔离开关

VACUUM CIRCUIT BREAKER AND DISCONNECTOR



国网 / 南网中标企业优质供应商



产品概述 Summary

RHV-24D/630-20 真空断路器 + 隔离开关具有易安装、维修少、寿命长、体积小、价格便宜安全可靠等优点。

该产品符合符合 GB 1984-2014 《高压交流断路器》，GB/T 1985-2023 《高压交流隔离开关和接地开关》等相关标准规范的要求。主回路短时耐受电流满足 20kA(4s)、25kA(3s)，断路器机械寿命 10000 次，隔离开关机械寿命 3000 次。

接地开关短时耐受电流满足 20kA(4s)，机械寿命 3000 次。

RHV-24D/630-20 Vacuum breaker+isolating switch has the advantages of easy installation, less maintenance, long life, small size, cheap, safe and reliable.

The product meets the technical requirements of GB1984-89, GB/T1984-2003 AC high voltage circuit breaker.

The short-time withstand current of the main circuit meets 20kA (4s) or 25kA (3s), the mechanical life of the circuit breaker is 10000 times, and the mechanical life of the disconnecter is 3000 times.

The short-term withstand current of the earthing switches meets 20kA (4s), and the mechanical life is 3000 times.

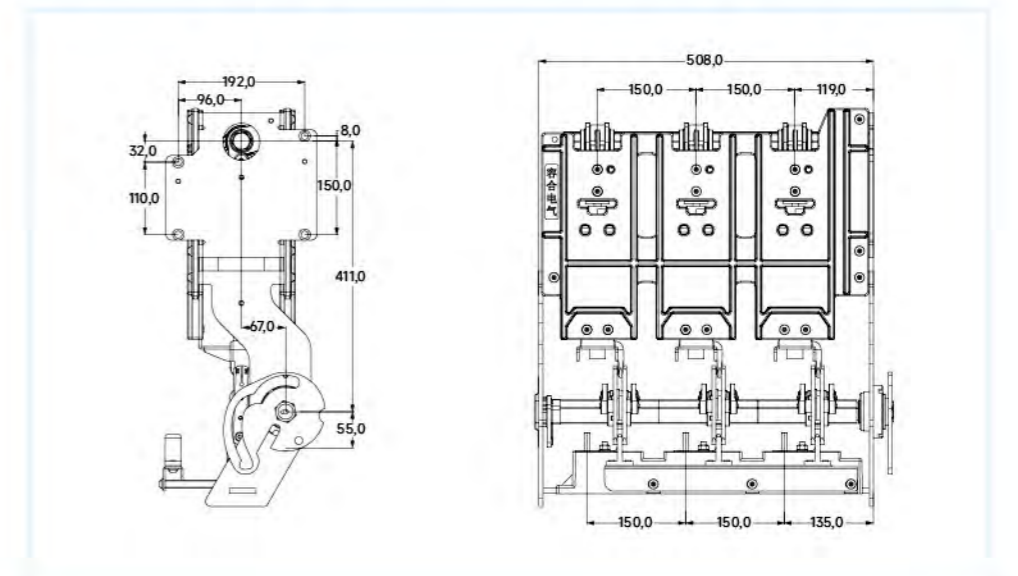
型号及其含义 Model and meaning

RH	V	24	D	630	20
企业代号 Company code	真空断路器带隔离开关 Vacuum circuit breaker with isolating switch	额定电压 Rated voltage	接地型式 Grounding type	额定电流 Rated current	短时耐受电流 Short-term withstand current

主要技术参数 Main technical parameters

序号 Serial Number	内容 Content	单位 Company	技术参数 Technical Parameter
1	主回路电阻 Circuit Resistance	$\mu\Omega$	≤ 60
2	超程 Over Travel	mm	2-3
3	开距 Clearance Between Open Contacts	mm	11-12
4	弹跳 Contact Bounce Duration at Closing Operation	ms	≤ 2
5	分闸平均速度 Average Opening Speed	m/s	1-1.6
6	合闸平均速度 Average Closing Speed	m/s	0.6-1.1
7	分闸三相不同期 Out of Simultaneity of Contact Opening	ms	≤ 2
8	合闸三相不同期 Out of Simultaneity of Contact Closing	ms	≤ 2

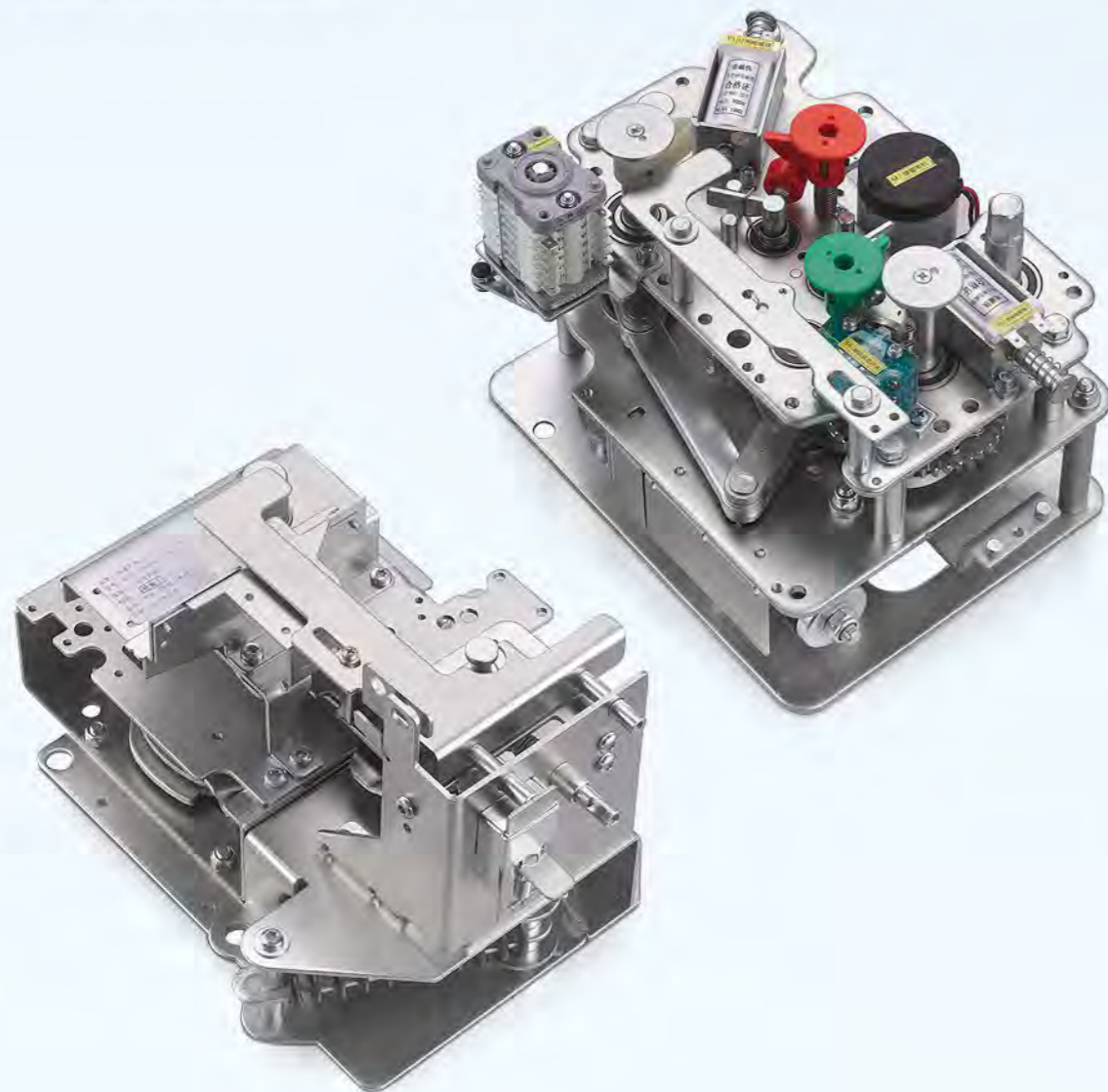
外形及安装尺寸图 Outline and installation dimension drawing



RHVM-24/630-20-X RHGM-24D/630-20-X

断路器机构 + 隔离机构

CIRCUIT-BREAKER OPERATING DEVICE AND
DISCONNECTOR OPERATING DEVICE



国网 / 南网中标企业优质供应商



产品概述 Summary

RHVM-24/630-20-X 系列断路器机构是适用于充式高压环网柜内断路器开关合、分闸操作的配设备该系列断路器机构采用拉伸弹簧过中点控制断路器的合闸动作，分闸操作采用了压缩弹簧蓄能控制。该产品具重合闸功能，与隔离机构组合使用时具有联锁功能，可靠性高，机械寿命可达 10000 次以上。

分体式按钮是指按钮本体安装在机构按钮柱，按钮操作部分带有防尘防误罩，安装于柜体面板，以满足防尘防误的功能要求。

该产品符合 GB 1984-2014 《高压交流断路器》，GB/T 1985-2023 《高压交流隔离开关和接地开关》等相关标准规范的要求。

RHVM-24/630-20-X series circuit breaker is suitable for the circuit breaker switch in the filled high voltage ring network cabinet, the series circuit breaker adopts the stretch elastic over the center point to control the closing action of the circuit breaker, the opening operation adopts the compression spring energy storage control. The product has reclosing function, interlocking function when combined with isolation mechanism, high reliability, mechanical life up to 10000 times.

The split type button means that the button body is installed in the mechanism button column, and the operation part of the button is equipped with a dust and error proof cover, which is installed in the cabinet panel to meet the functional requirements of dust and error prevention. This product complies with the requirements of relevant standards and specifications such as GB 1984-2014 "High-voltage alternating-current circuit-breakers" and GB/T 1985-2023 "High-voltage alternating-current disconnectors and earthing switches".

型号及其含义 Model and meaning

RH	VM	24	630	20	X
企业代号 Company code	断路器机构 Circuit breaker operating device	断路器额定电 压 Rated circuit breaker voltage	断路器额定 电流 Circuit breaker rated current	断路器额定短时耐 受 电流 Rated short- time withstand current of circuit breaker	下隔离 Lower isolation

使用操作说明 Operation instructions

○ 储能操作:

机构上柜安装固定，将机构专用手柄套入位于机构右下部的操作转轴，顺时针旋转手柄至“咔哒”一声（此时储能指示转轴将储能微动顶至完全闭合状态）储能到位。电动操作时，机构上电后将自动运行储能，储能到位后电机回路断开，储能保持，等待释能合闸（电动操作时必须保证二次线路准确无误）。

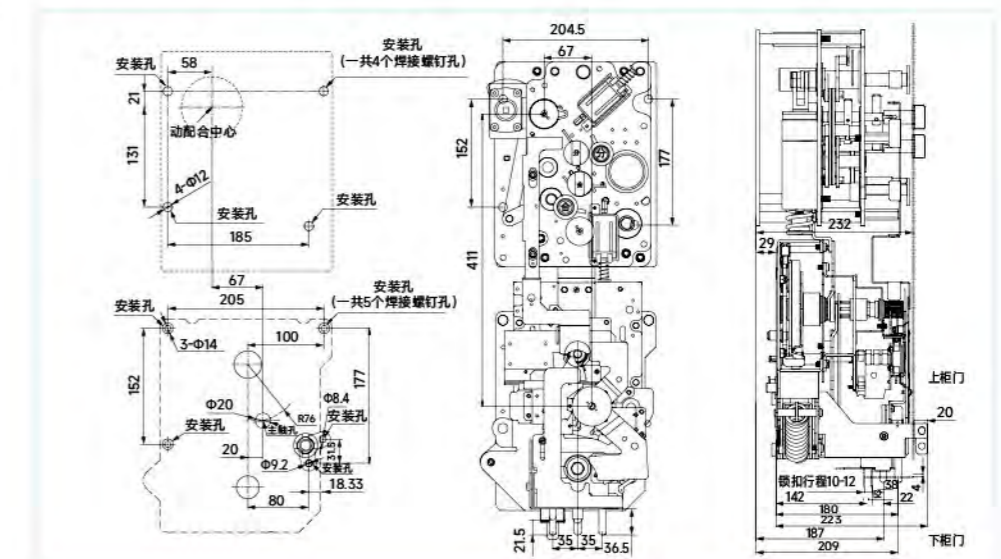
○ 合闸操作:

手动操作时手动按绿色按钮，瞬间释放合闸储能，机构推动断路器开关完成主回路合闸。电动操作时给合闸电磁铁线圈上电，由合闸电磁铁瞬间动作释放储能，机构推动断路器开关完成主回路合闸，同时对分闸弹簧进行储能（此时可继续储能但在防误联锁的作用下无法进行再次合闸操作）。

○ 分闸操作:

手动操作时手动按红色按钮，瞬间释放分闸储能，机构推动断路器开关完成主回路分闸。电动操作时给分闸电磁铁线圈上电，由分闸电磁铁瞬间动作释放储能，机构推动断路器开关完成主回路分闸。

外形及安装尺寸图 Outline and installation dimension drawing



RHK-24D/630-20

负荷开关

LOAD SWITCH



国网 / 南网中标企业优质供应商



产品概述 Summary

RHK-24D/630-20 负荷开关符合 GB 3804-2017《3.6kV~40.5kV 高压交流负荷开关》、GB16926-2009《交流高压负荷开关——熔断器组合电器》和 GB/T 1985-2023《高压交流隔离开关和接地开关》等相关标准规范的要求。主回路短时耐受电流满足 20kA(4s)、25kA(3s)，负荷开关机械寿命 5000 次。接地开关短时耐受电流满足 20kA(4s)，机械寿命 3000 次。

RHK-24D/630-20 load switch complies with the relevant requirements of GB3804-2017 "3.6kV~40.5kV High Voltage AC load switch" and GB16926-2009 "AC high Voltage load switch and Fuse combination Electrical Appliances". The short-time withstand current of the main circuit meets 20kA (4s) or 25kA (3s), the mechanical life of the Load switch is 5000 times. The short-term withstand current of the earthing switches meets 20kA (4s), and the mechanical life is 3000 times.

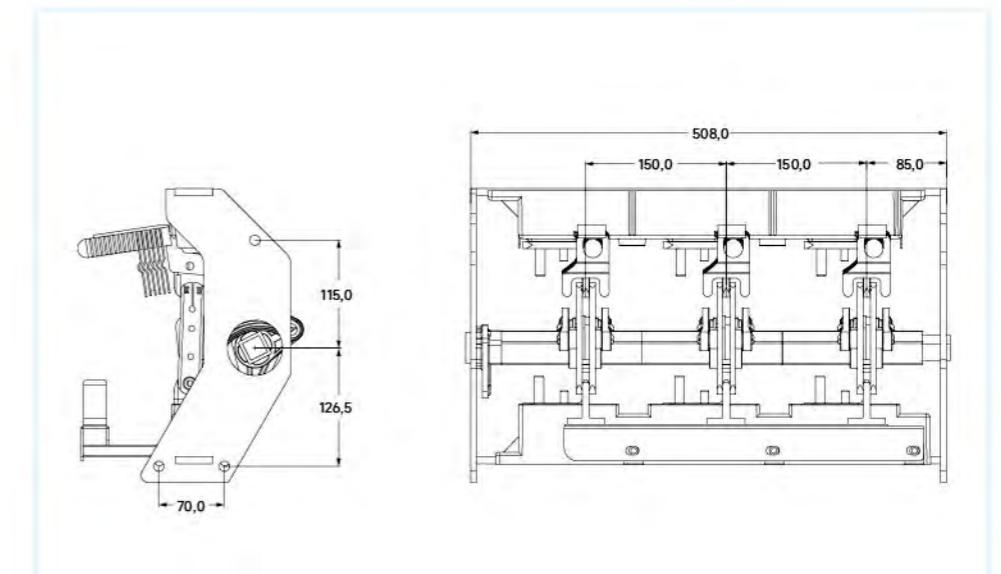
型号及其含义 Model and meaning

RH	K	24	D	630	20
企业代号 Company code	负荷开关 Load switch	额定电压 Rated voltage	接地型式 Earthing type	额定电流 Rated current	短时耐受电流 Short-term withstand current

主要技术参数 Main technical parameters

序号 Serial Number	内容 Content	单位 Company	技术参数 Technical Parameter
1	额定频率 Rated frequency	Hz	50
2	额定电流 Rated current	A	630
3	额定短时耐受电流 Rated short-time Withstand current	KA	20/25
4	额定短路持续时间 Rated Duration of Short-circuit	S	4
5	额定短路关合电流 Rated Short-circuit Making	KA	50

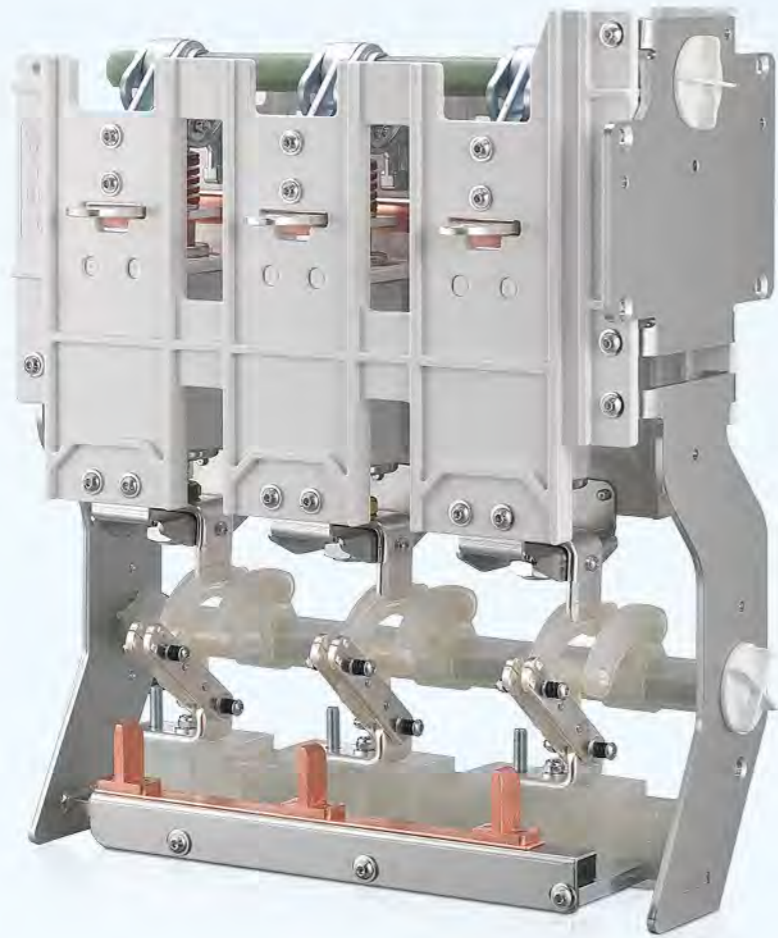
外形及安装尺寸图 Outline and installation dimension drawing



RHV-12D/630-20

真空断路器 + 隔离开关

VACUUM CIRCUIT BREAKER AND DISCONNECTOR



国网 / 南网中标企业优质供应商



产品概述 Summary

RHV-12D/630-20 真空断路器 + 隔离开关具有易安装、维修少、寿命长、体积小、价格便宜安全可靠等优点。

该产品符合 GB 1984-2014 《高压交流断路器》，GB/T 1985-2023 《高压交流隔离开关和接地开关》等相关标准规范的要求。

主回路短时耐受电流满足 20kA(4s)、25kA (3s)，断路器机械寿命 10000 次，隔离开关机械寿命 3000 次。

接地开关短时耐受电流满足 20kA(4s)，机械寿命 3000 次。

RHV-12D/630-20 Vacuum circuit breaker and disconnector has the advantages of easy installation, less maintenance, long life, small size, cheap, safe and reliable.

This product complies with the requirements of relevant standards and specifications such as GB 1984-2014 "High-voltage alternating-current circuit-breakers" and GB/T 1985-2023 "High-voltage alternating-current disconnectors and earthing switches".

The short-time withstand current of the main circuit meets 20kA (4s) or 25kA (3s), the mechanical life of the circuit breaker is 10000 times, and the mechanical life of the disconnector is 3000 times.

The short-term withstand current of the earthing switches meets 20kA (4s), and the mechanical life is 3000 times.

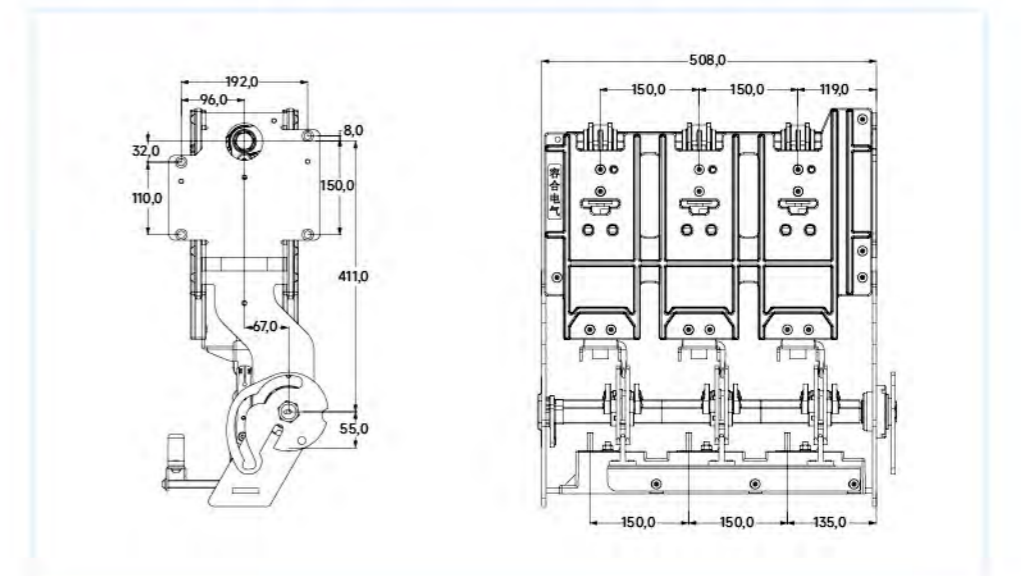
型号及其含义 Model and meaning

RH	V	12	D	630	20
企业代号 Company code	真空断路器带隔离开关 Vacuum circuit breaker with isolating switch	额定电压 Rated voltage	接地型式 Earthing type	额定电流 Rated current	短时耐受电流 Short-term withstand current

主要技术参数 Main technical parameters

序号 Serial Number	内容 Content	单位 Company	技术参数 Technical Parameter
1	主回路电阻 Circuit Resistance	uΩ	≤ 60
2	超程 Over Travel	mm	2-3
3	开距 Clearance Between Open Contacts	mm	8-10
4	弹跳 Contact Bounce Duration at Closing Operation	ms	≤ 2
5	分闸平均速度 Average Opening Speed	m/s	1-1.6
6	合闸平均速度 Average Closing Speed	m/s	0.6-1.2
7	分闸三相不同期 Out of Simultaneity of Contact Opening	ms	≤ 2
8	合闸三相不同期 Out of Simultaneity of Contact Closing	ms	≤ 2

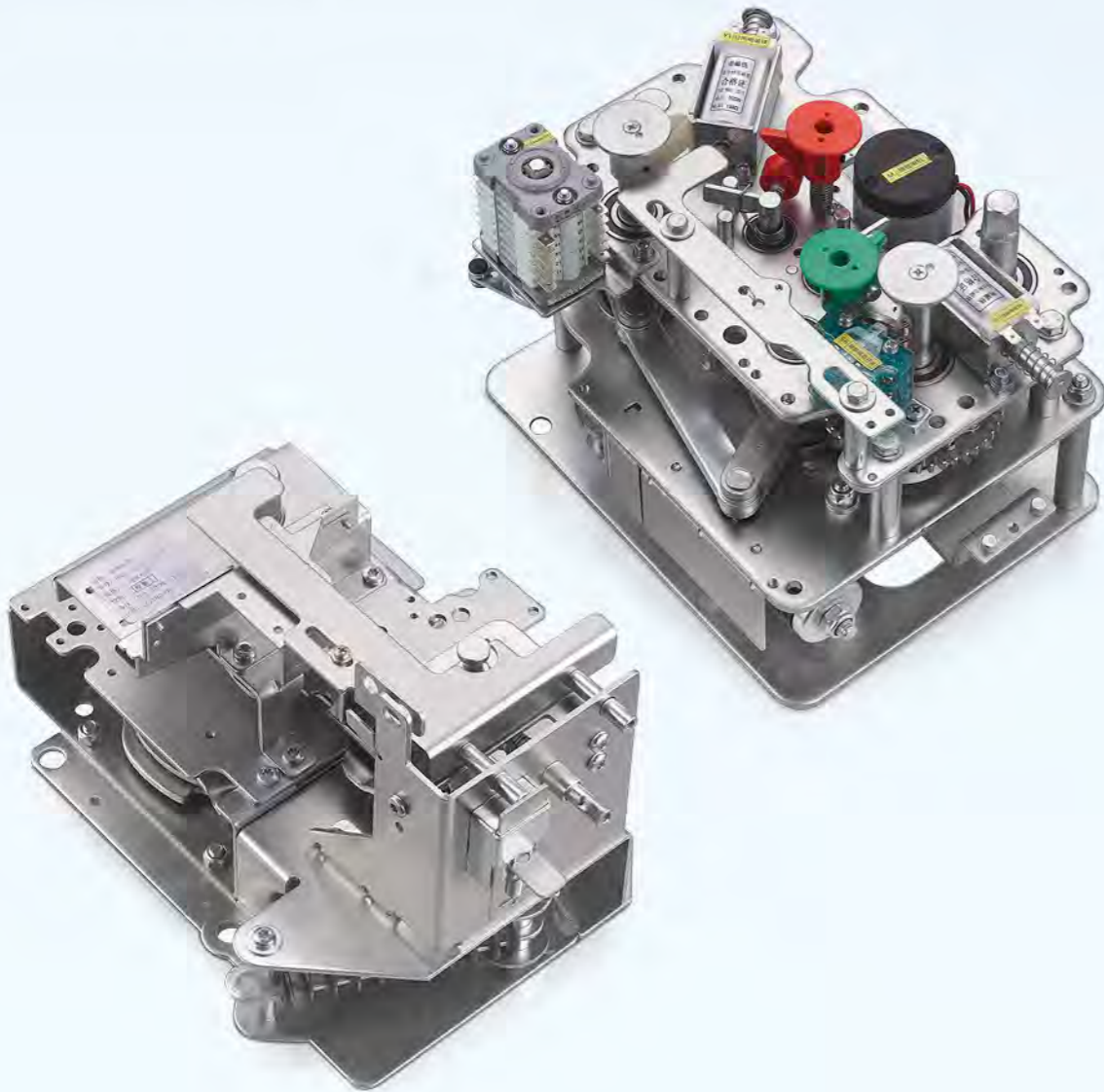
外形及安装尺寸图 Outline and installation dimension drawing



RHVM-12/630-20-X RHGM-12D/630-20-X

断路器机构 + 隔离机构

CIRCUIT-BREAKER OPERATING DEVICE AND
DISCONNECTOR OPERATING DEVICE



国网 / 南网中标企业优质供应商



产品概述 Summary

RHVM-12/630-20-X 系列断路器机构是适用于充式高压环网柜内断路器开关合、分闸操作的配设备该系列断路器机构采用拉伸弹簧过中点控制断路器的合闸动作，分闸操作采用了压缩弹簧蓄能控制。该产品具重合闸功能，与隔离机构组合使用时具有联锁功能，可靠性高，机械寿命可达 10000 次以上。

分体式按钮是指按钮本体安装在机构按钮柱，按钮操作部分带有防尘防误罩，安装于柜体面板，以满足防尘防误的功能要求。

该产品符合 GB 1984-2014 《高压交流断路器》，GB/T 1985-2023 《高压交流隔离开关和接地开关》等相关标准规范的要求。

RHVM-12/630-20-X series circuit breaker is suitable for the circuit breaker switch in the filled high voltage ring network cabinet, the series circuit breaker adopts the stretch elastic over the center point to control the closing action of the circuit breaker, the opening operation adopts the compression spring energy storage control. The product has reclosing function, interlocking function when combined with isolation mechanism, high reliability, mechanical life up to 10000 times.

The split type button means that the button body is installed in the mechanism button column, and the operation part of the button is equipped with a dust and error proof cover, which is installed in the cabinet panel to meet the functional requirements of dust and error prevention. This product complies with the requirements of relevant standards and specifications such as GB 1984-2014 "High-voltage alternating-current circuit-breakers" and GB/T 1985-2023 "High-voltage alternating-current disconnectors and earthing switches".

型号及其含义 Model and meaning

RH	VM	12	630	20	X
企业代号 Company code	断路器机构 Circuit breaker operating device	断路器额定电 压 Rated circuit breaker voltage	断路器额定电 流 Rated circuit breaker rated current	断路器额定短时 耐受电流 Rated short-time withstand current of circuit breaker	下隔离 Lower isolation

使用操作说明 Operation instructions

○ 储能操作:

机构上柜安装固定，将机构专用手柄套入位于机构右下部的操作转轴，顺时针旋转手柄至“咔哒”一声（此时储能指示转轴将储能微动顶至完全闭合状态）储能到位。电动操作时，机构上电后将自动运行储能，储能到位后电机回路断开，储能保持，等待释能合闸（电动操作时必须保证二次线路准确无误）。

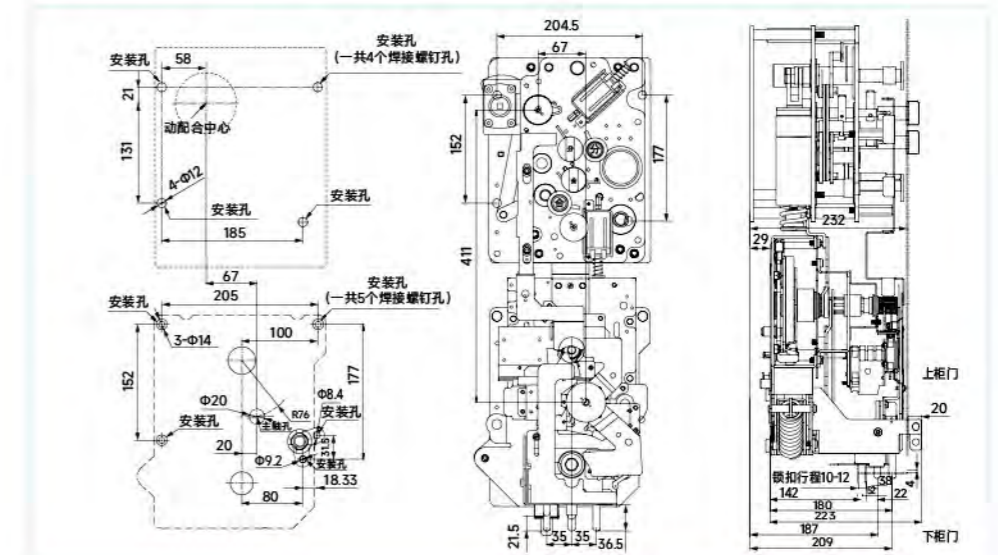
○ 合闸操作:

手动操作时手动按绿色按钮，瞬间释放合闸储能，机构推动断路器开关完成主回路合闸。电动操作时给合闸电磁铁线圈上电，由合闸电磁铁瞬间动作释放储能，机构推动断路器开关完成主回路合闸，同时对分闸弹簧进行储能（此时可继续储能但在防误联锁的作用下无法进行再次合闸操作）。

○ 分闸操作:

手动操作时手动按红色按钮，瞬间释放分闸储能，机构推动断路器开关完成主回路分闸。电动操作时给分闸电磁铁线圈上电，由分闸电磁铁瞬间动作释放储能，机构推动断路器开关完成主回路分闸。

外形及安装尺寸图 Outline and installation dimension drawing



RHV-12D/800-20

真空断路器 + 隔离开关

VACUUM CIRCUIT BREAKER AND DISCONNECTOR



国网 / 南网中标企业优质供应商



产品概述 Summary

RHV-12D/800-20 真空断路器 + 隔离开关具有易安装、维修少、寿命长、体积小、价格便宜安全可靠等优点。

该产品符合符合 GB 1984-2014 《高压交流断路器》，GB/T 1985-2023 《高压交流隔离开关和接地开关》等相关标准规范的要求。主回路短时耐受电流满足 20kA(4s)、25kA (3s)，断路器机械寿命 10000 次，隔离开关机械寿命 3000 次。

接地开关短时耐受电流满足 20kA(4s)，机械寿命 3000 次。

RHV-12D/800-20 vacuum circuit breaker+isolation switch has the advantages of easy installation, less maintenance, long life, small size, cheap, safe and reliable.

The product meets the technical requirements of GB1984-89, GB/T1984-2003 AC high voltage circuit breaker.

The short-time withstand current of the main circuit meets 20kA (4s) or 25kA (3s), the mechanical life of the circuit breaker is 10000 times, and the mechanical life of the disconnecter is 3000 times.

The short-time withstand current of the earthing switches meets 20kA (4s), and the mechanical life is 3000 times.

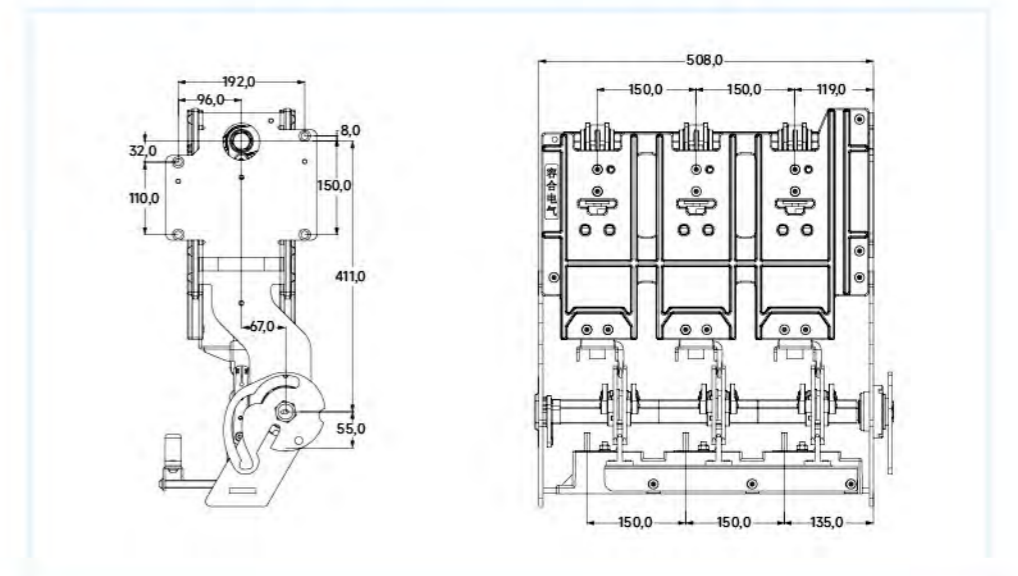
型号及其含义 Model and meaning

RH	V	12	D	800	20
企业代号 Company code	真空断路器带隔离开关 Vacuum circuit breaker with isolating switch	额定电压 Rated voltage	接地型式 Earthing type	额定电流 Rated current	短时耐受电流 Short-term withstand current

主要技术参数 Main technical parameters

序号 Serial Number	内容 Content	单位 Company	技术参数 Technical Parameter
1	主回路电阻 Circuit Resistance	$\mu\Omega$	≤ 60
2	超程 Over Travel	mm	2-3
3	开距 Clearance Between Open Contacts	mm	8-10
4	弹跳 Contact Bounce Duration at Closing Operation	ms	≤ 2
5	分闸平均速度 Average Opening Speed	m/s	1.0-1.6
6	合闸平均速度 Average Closing Speed	m/s	0.6-1.2
7	分闸三相不同期 Out of Simultaneity of Contact Opening	ms	≤ 2
8	合闸三相不同期 Out of Simultaneity of Contact Closing	ms	≤ 2

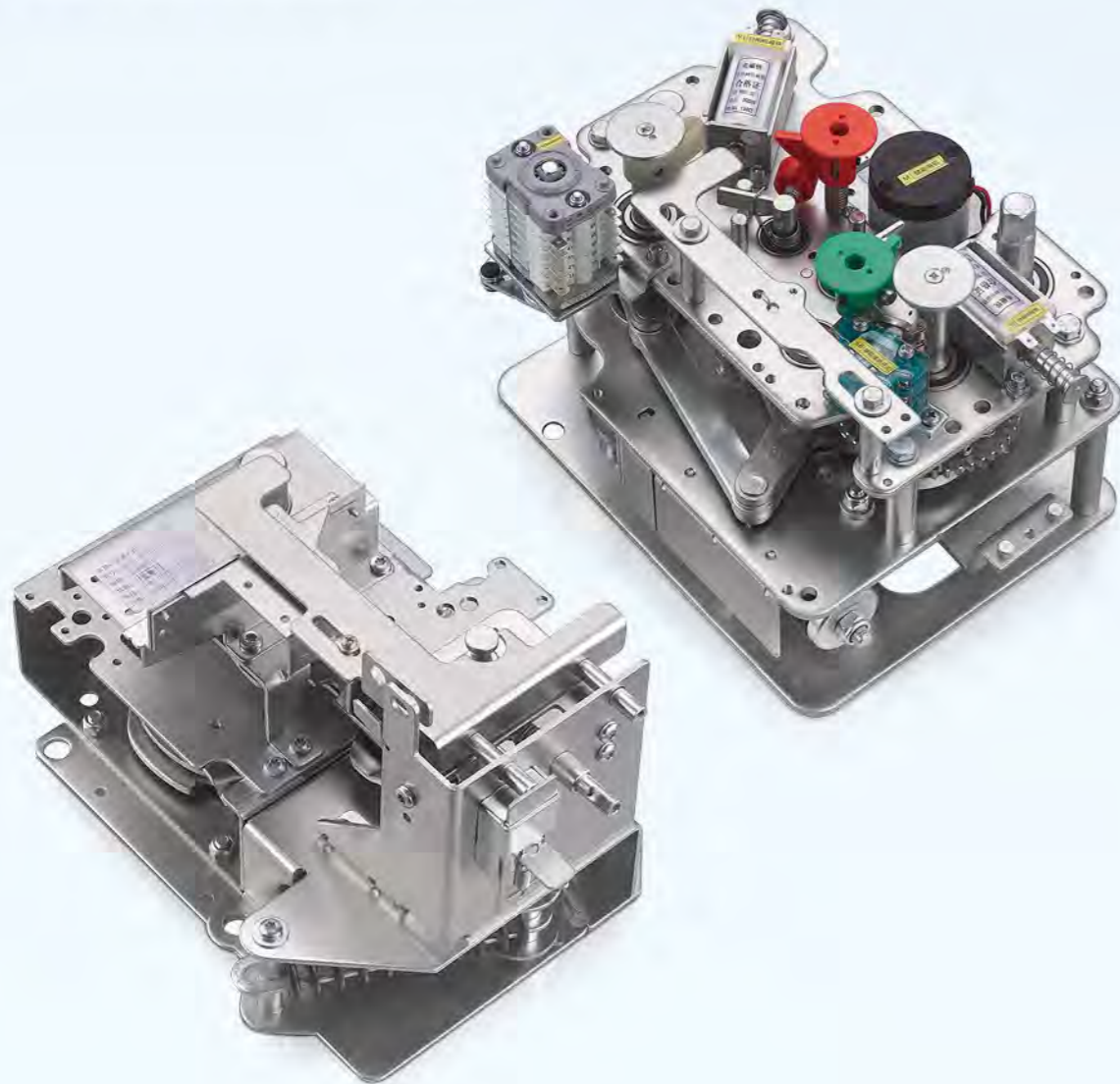
外形及安装尺寸图 Outline and installation dimension drawing



RHVM-12/800-20-X RHGM-12D/800-20-X

断路器机构 + 隔离机构

CIRCUIT-BREAKER OPERATING DEVICE AND
DISCONNECTOR OPERATING DEVICE



国网 / 南网中标企业优质供应商



产品概述 Summary

RHVM-12/800-20-X 系列断路器机构是适用于充式高压环网柜内断路器开关合、分闸操作的配设备该系列断路器机构采用拉伸弹簧过中点控制断路器的合闸动作，分闸操作采用了压缩弹簧蓄能控制。该产品具重合闸功能，与隔离机构组合使用时具有联锁功能，可靠性高，机械寿命可达 10000 次以上。

分体式按钮是指按钮本体安装在机构按钮柱，按钮操作部分带有防尘防误罩，安装于柜体面板，以满足防尘防误的功能要求。

该产品符合 GB 1984-2014 《高压交流断路器》，GB/T 1985-2023 《高压交流隔离开关和接地开关》等相关标准规范的要求。

RHVM-12/800-20-X series circuit breaker is suitable for the circuit breaker switch in the filled high voltage ring network cabinet, the series circuit breaker adopts the stretch elastic over the center point to control the closing action of the circuit breaker, the opening operation adopts the compression spring energy storage control. The product has reclosing function, interlocking function when combined with isolation mechanism, high reliability, mechanical life up to 10000 times.

The split type button means that the button body is installed in the mechanism button column, and the operation part of the button is equipped with a dust and error proof cover, which is installed in the cabinet panel to meet the functional requirements of dust and error prevention. This product complies with the requirements of relevant standards and specifications such as GB 1984-2014 "High-voltage alternating-current circuit-breakers" and GB/T 1985-2023 "High-voltage alternating-current disconnectors and earthing switches".

型号及其含义 Model and meaning

RH	VM	12	800	20	X
企业代号 Company code	断路器机构 Circuit breaker operating device	断路器额定电 压 Rated circuit breaker voltage	断路器额定电 流 Rated circuit breaker rated current	断路器额定短时 耐受电流 Rated short-time withstand current of circuit breaker	下隔离 Lower isolation

使用操作说明 Operation instructions

○ 储能操作：

机构上柜安装固定，将机构专用手柄套入位于机构右下部的操作转轴，顺时针旋转手柄至“咔哒”一声（此时储能指示转轴将储能微动顶至完全闭合状态）储能到位。电动操作时，机构上电后将自动运行储能，储能到位后电机回路断开，储能保持，等待释能合闸（电动操作时必须保证二次线路准确无误）。

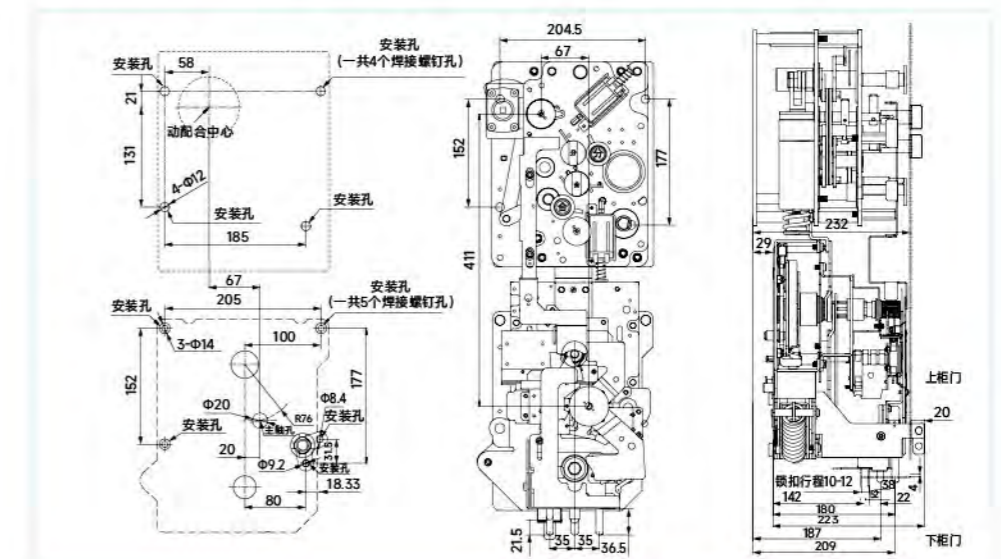
○ 合闸操作：

手动操作时手动按绿色按钮，瞬间释放合闸储能，机构推动断路器开关完成主回路合闸。电动操作时给合闸电磁铁线圈上电，由合闸电磁铁瞬间动作释放储能，机构推动断路器开关完成主回路合闸，同时对分闸弹簧进行储能（此时可继续储能但在防误联锁的作用下无法进行再次合闸操作）。

○ 分闸操作：

手动操作时手动按红色按钮，瞬间释放分闸储能，机构推动断路器开关完成主回路分闸。电动操作时给分闸电磁铁线圈上电，由分闸电磁铁瞬间动作释放储能，机构推动断路器开关完成主回路分闸。

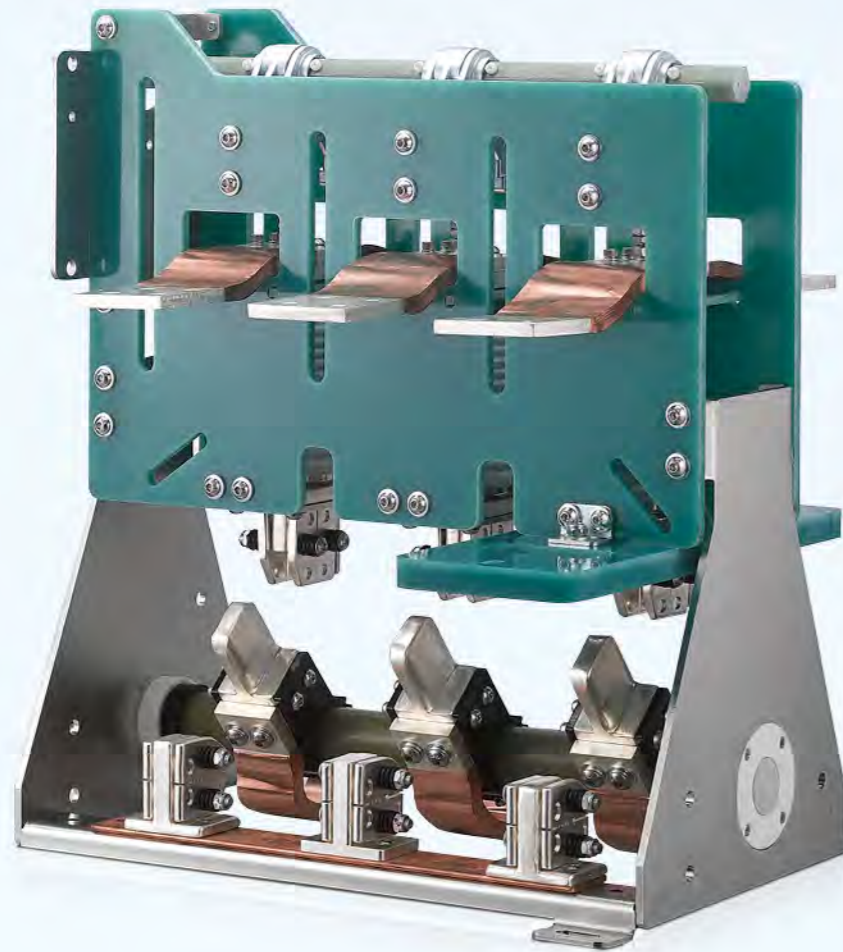
外形及安装尺寸图 Outline and installation dimension drawing



RHV-12D/1250-25

真空断路器 + 隔离开关

VACUUM CIRCUIT BREAKER AND DISCONNECTOR



国网 / 南网中标企业优质供应商



产品概述 Summary

RHV-12D/1250-25 真空断路器 + 隔离开关具有易安装、维修少、寿命长、体积小、价格便宜安全可靠等优点。

该产品符合符合 GB 1984-2014 《高压交流断路器》，GB/T 1985-2023 《高压交流隔离开关和接地开关》等相关标准规范的要求。主回路短时耐受电流满足 20kA(4s)、25kA(3s)，断路器机械寿命 10000 次，隔离开关机械寿命 3000 次。

接地开关短时耐受电流满足 20kA(4s)，机械寿命 3000 次。

RHV-12D/1250-25 vacuum circuit breaker+isolation switch has the advantages of easy installation, less maintenance, long life, small size, cheap, safe and reliable.

The product meets the technical requirements of GB1984-89, GB/T1984-2003 AC high voltage circuit breaker.

The short-time withstand current of the main circuit meets 20kA (4s) or 25kA (3s), the mechanical life of the circuit breaker is 10000 times, and the mechanical life of the disconnecter is 3000 times.

The short-term withstand current of the earthing switches meets 20kA (4s), and the mechanical life is 3000 times.

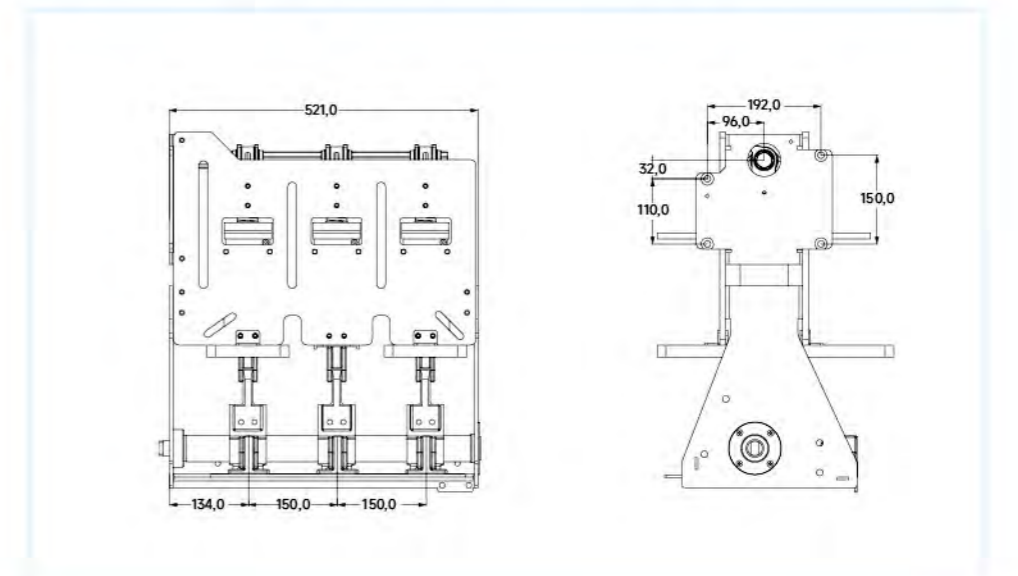
型号及其含义 Model and meaning

RH	V	12	D	1250	25
企业代号 Company code	真空断路器带隔离开关 Vacuum circuit breaker with isolating switch	额定电压 Rated voltage	接地型式 Earthing type	额定电流 Rated current	短时耐受电流 Short-term withstand current

主要技术参数 Main technical parameters

序号 Serial Number	内容 Content	单位 Company	技术参数 Technical Parameter
1	主回路电阻 Circuit Resistance	$\mu\Omega$	≤ 40
2	超程 Over Travel	mm	2-3
3	开距 Clearance Between Open Contacts	mm	8-10
4	弹跳 Contact Bounce Duration at Closing Operation	ms	≤ 2
5	分闸平均速度 Average Opening Speed	m/s	1.1-1.6
6	合闸平均速度 Average Closing Speed	m/s	0.6-1.2
7	分闸三相不同期 Out of Simultaneity of Contact Opening	ms	≤ 2
8	合闸三相不同期 Out of Simultaneity of Contact Closing	ms	≤ 2

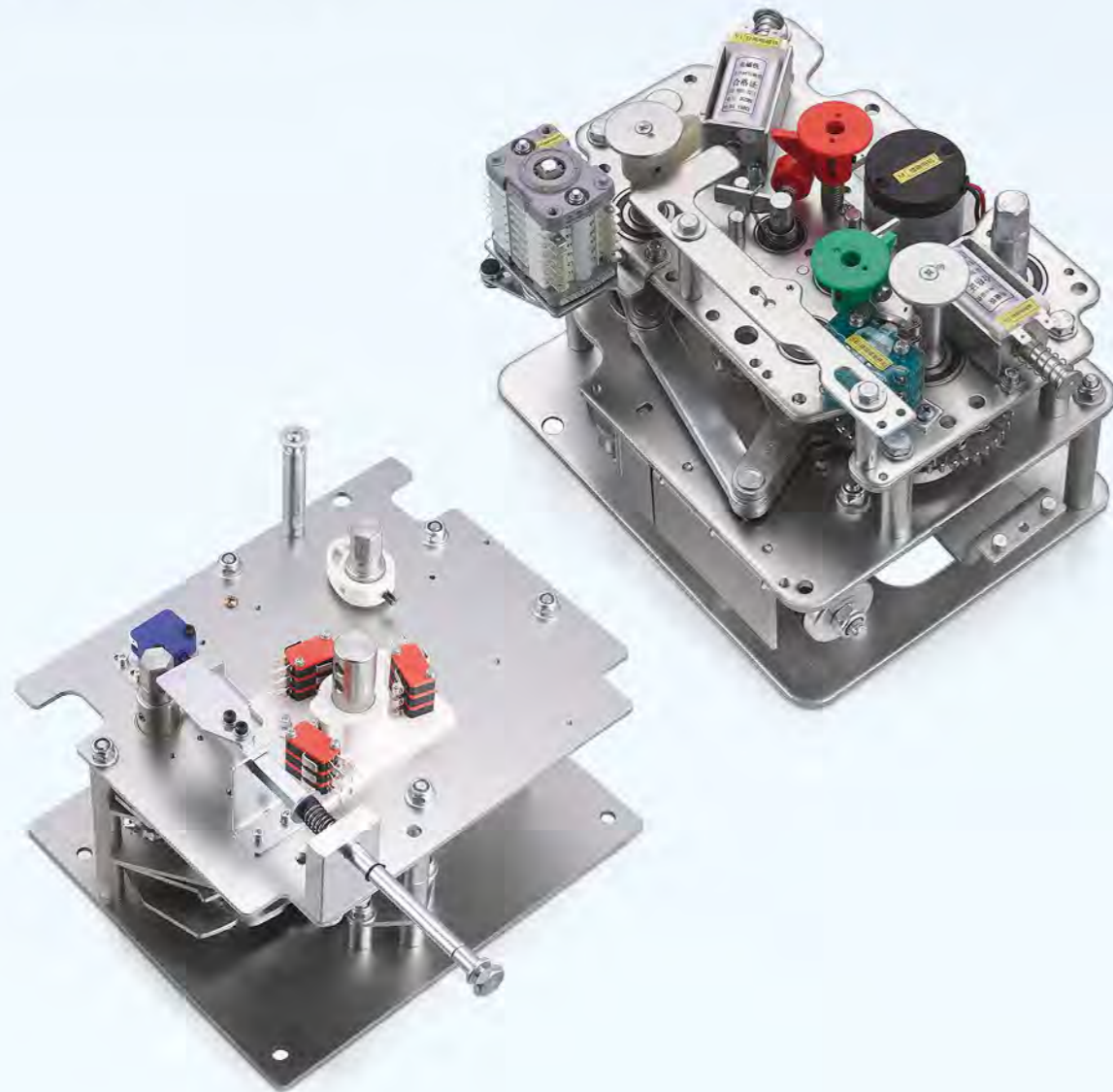
外形及安装尺寸图 Outline and installation dimension drawing



RHVM-12/1250-25-X RHGM-12D/1250-20-X

断路器机构 + 隔离机构

CIRCUIT-BREAKER OPERATING DEVICE AND DISCONNECTOR OPERATING DEVICE



国网 / 南网中标企业优质供应商



产品概述 Summary

RHVM-12/1250-20-X 系列断路器机构是适用于充式高压环网柜内断路器开关合、分闸操作的配设备。该系列断路器机构采用拉伸弹簧过中点控制断路器的合闸动作，分闸操作采用了压缩弹簧蓄能控制。该产品具重合闸功能，与隔离机构组合使用时具有联锁功能，可靠性高，机械寿命可达 10000 次以上。

分体式按钮是指按钮本体安装在机构按钮柱，按钮操作部分带有防尘防误罩，安装于柜体面板，以满足防尘防误的功能要求。

该产品符合 GB 1984-2014 《高压交流断路器》，GB/T 1985-2023 《高压交流隔离开关和接地开关》等相关标准规范的要求。

RHVM-12/1250-20-X series circuit breaker is suitable for the circuit breaker switch in the filled high voltage ring network cabinet, the series of circuit breaker mechanism uses the stretch elastic over the center point to control the closing action of the circuit breaker, the opening operation uses the compression spring energy storage control. The product has reclosing function, interlocking function when combined with isolation mechanism, high reliability, mechanical life up to 10000 times.

The split type button means that the button body is installed in the mechanism button column, and the operation part of the button is equipped with a dust and error proof cover, which is installed in the cabinet panel to meet the functional requirements of dust and error prevention.

This product complies with the requirements of relevant standards and specifications such as GB 1984-2014 "High-voltage alternating-current circuit-breakers" and GB/T 1985-2023 "High-voltage alternating-current disconnectors and earthing switches".

型号及其含义 Model and meaning

RH	VM	12	630	20	X
企业代号 Company code	断路器机构 Circuit breaker operating device	断路器额定电压 Rated circuit breaker voltage	断路器额定电流 Circuit breaker rated current	断路器额定短时耐受电流 Rated short-time withstand current of circuit breaker	下隔离 Lower isolation

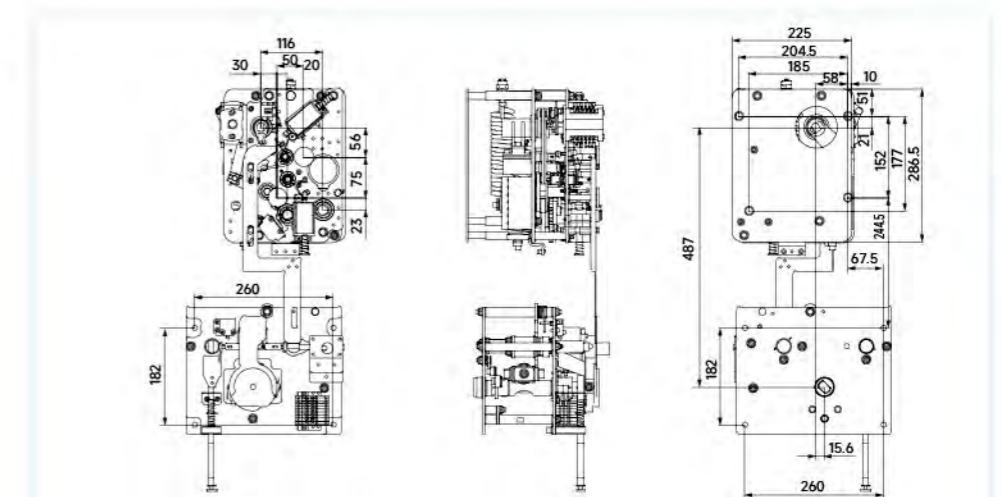
使用操作说明 Operation instructions

○ 储能操作：
机构上柜安装固定，将机构专用手柄套入位于机构右下部的操作转轴，顺时针旋转手柄至“咔哒”一声（此时储能指示转轴将储能微动顶至完全闭合状态）储能到位。电动操作时，机构上电后将自动运行储能，储能到位后电机回路断开，储能保持，等待释能合闸（电动操作时须保证二次线路准确无误）。

○ 合闸操作：
手动操作时手动按绿色按钮，瞬间释放合闸储能，机构推动断路器开关完成主回路合闸。电动操作时给合闸电磁铁线圈上电，由合闸电磁铁瞬间动作释放储能，机构推动断路器开关完成主回路合闸，同时对分闸弹簧进行储能（此时可继续储能但在防误联锁的作用下无法进行再次合闸操作）。

○ 分闸操作：
手动操作时手动按红色按钮，瞬间释放分闸储能，机构推动断路器开关完成主回路分闸。电动操作时给分闸电磁铁线圈上电，由分闸电磁铁瞬间动作释放储能，机构推动断路器开关完成主回路分闸。

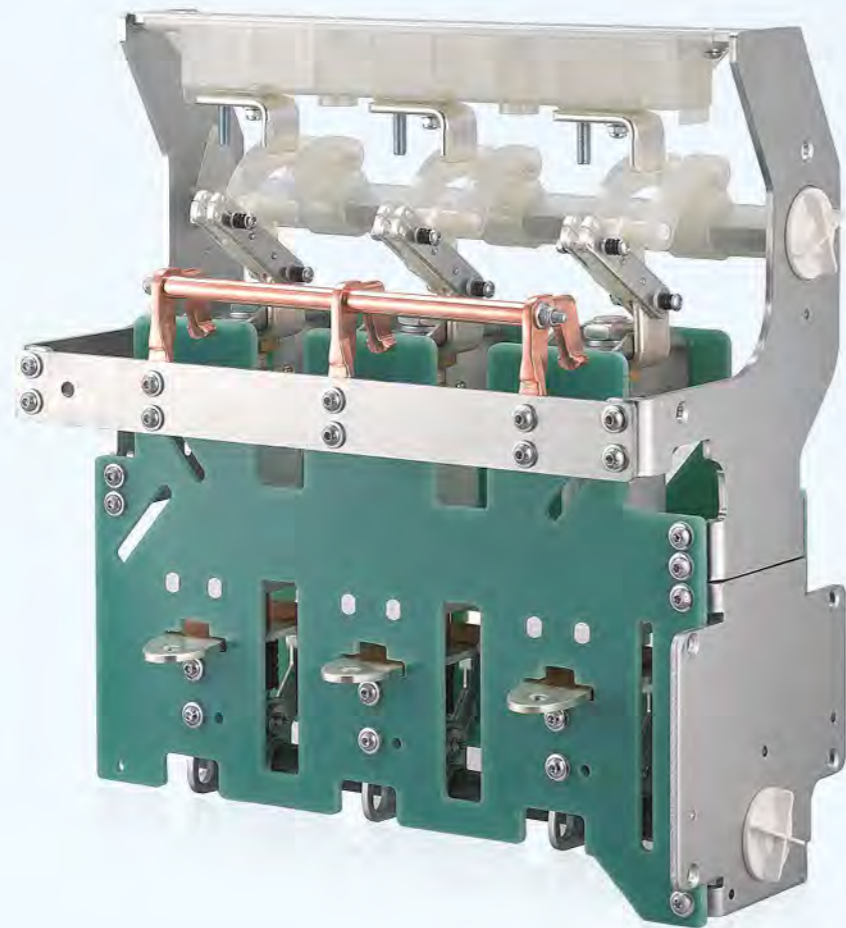
外形及安装尺寸图 Outline and installation dimension drawing



RHV-12D/630-20-S

真空断路器 + 隔离开关

VACUUM CIRCUIT BREAKER AND DISCONNECTOR



国网 / 南网中标企业优质供应商



产品概述 Summary

RHV-12D/630-20-S 真空断路器 + 隔离开关具有易安装、维修少、寿命长、体积小、价格便宜安全可靠等优点。

该产品符合符合 GB 1984-2014 《高压交流断路器》，GB/T 1985-2023 《高压交流隔离开关和接地开关》等相关标准规范的要求。主回路短时耐受电流满足 20kA(4s)、25kA(3s)，断路器机械寿命 10000 次，隔离开关机械寿命 3000 次。

接地开关短时耐受电流满足 20kA(4s)，机械寿命 3000 次。

RHV-12D/630-20-S Vacuum circuit breaker and disconnector has the advantages of easy installation, less maintenance, long life, small size, cheap, safe and reliable.

This product complies with the requirements of relevant standards and specifications such as GB 1984-2014 "High-voltage alternating-current circuit-breakers" and GB/T 1985-2023 "High-voltage alternating-current disconnectors and earthing switches".

The short-time withstand current of the main circuit meets 20kA (4s) or 25kA (3s), the mechanical life of the circuit breaker is 10000 times, and the mechanical life of the disconnector is 3000 times.

The short-term withstand current of the earthing switches meets 20kA (4s), and the mechanical life is 3000 times.

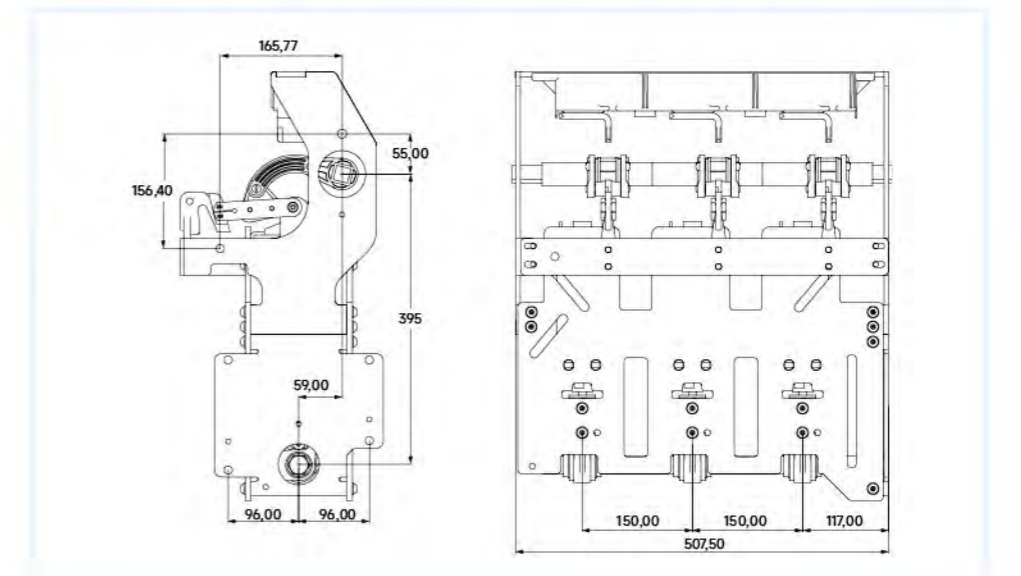
型号及其含义 Model and meaning

RH	V	12	D	630	20	S
企业代号 Company code	真空断路器带隔离开关 Vacuum circuit breaker with isolating switch	额定电压 Rated voltage	接地型式 Earthing type	额定电流 Rated current	短时耐受电流 Short-term withstand current	上隔离 Upper isolation

主要技术参数 Main technical parameters

序号 Serial Number	内容 Content	单位 Company	技术参数 Technical Parameter
1	主回路电阻 Circuit Resistance	uΩ	≤ 60
2	超程 Over Travel	mm	2-3
3	开距 Clearance Between Open Contacts	mm	8-10
4	弹跳 Contact Bounce Duration at Closing Operation	ms	≤ 2
5	分闸平均速度 Average Opening Speed	m/s	1.1-1.6
6	合闸平均速度 Average Closing Speed	m/s	0.6-1.2
7	分闸三相不同期 Out of Simultaneity of Contact Opening	ms	≤ 2
8	合闸三相不同期 Out of Simultaneity of Contact Closing	ms	≤ 2

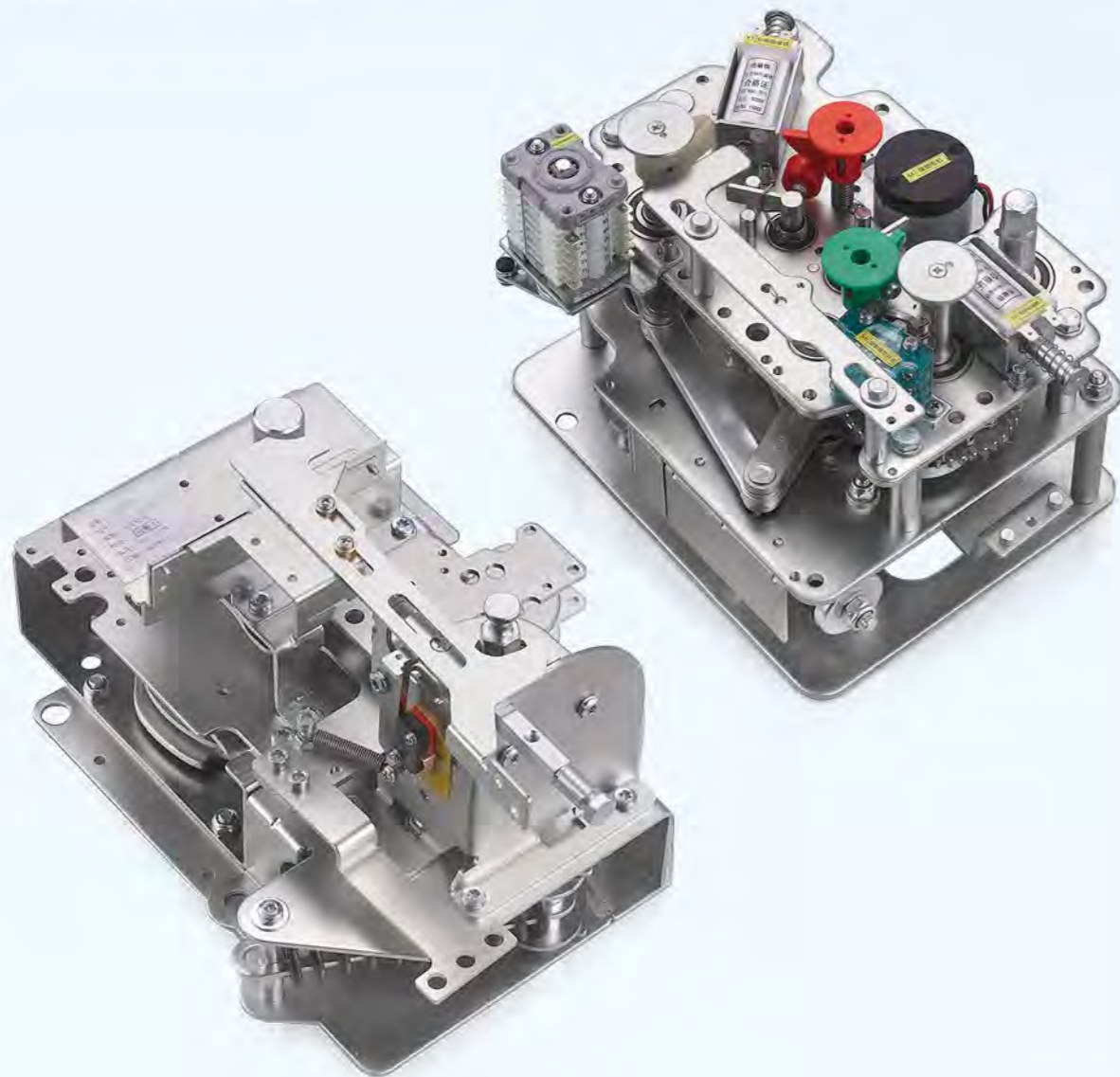
外形及安装尺寸图 Outline and installation dimension drawing



RHVM-12/630-20-S RHGM-12D/630-20-S

断路器机构 + 隔离机构

CIRCUIT-BREAKER OPERATING DEVICE AND
DISCONNECTOR OPERATING DEVICE



国网 / 南网中标企业优质供应商



产品概述 Summary

RHVM-12/630-20-S 系列断路器机构是适用于充式高压环网柜内断路器开关合、分闸操作的配设备该系列断路器机构采用拉伸弹簧过中点控制断路器的合闸动作，分闸操作采用了压缩弹簧蓄能控制。该产品具重合闸功能，与隔离机构组合使用时具有联锁功能，可靠性高，机械寿命可达 10000 次以上。

分体式按钮是指按钮本体安装在机构按钮柱，按钮操作部分带有防尘防误罩，安装于柜体面板，以满足防尘防误的功能要求。

该产品符合 GB 1984-2014 《高压交流断路器》，GB/T 1985-2023 《高压交流隔离开关和接地开关》等相关标准规范的要求。

RHVM-12/630-20-S series circuit breaker is suitable for the circuit breaker switch in the filled high voltage ring network cabinet, the series circuit breaker adopts the stretch elastic over the center point to control the closing action of the circuit breaker, the opening operation adopts the compression spring energy storage control. The product has reclosing function, interlocking function when combined with isolation mechanism, high reliability, mechanical life up to 10000 times.

The split type button means that the button body is installed in the mechanism button column, and the operation part of the button is equipped with a dust and error proof cover, which is installed in the cabinet panel to meet the functional requirements of dust and error prevention. This product complies with the requirements of relevant standards and specifications such as GB 1984-2014 "High-voltage alternating-current circuit-breakers" and GB/T 1985-2023 "High-voltage alternating-current disconnectors and earthing switches".

型号及其含义 Model and meaning

RH	VM	40.5	630	20	S
企业代号 Company code	断路器机构 Circuit breaker operating device	断路器额定电压 Rated circuit breaker voltage	断路器额定 电流 Circuit breaker rated current	断路器额定短时耐受 电流 Rated short- time withstand current of circuit breaker	上隔离 Upper isolation

使用操作说明 Operation instructions

○ 储能操作:

机构上柜安装固定，将机构专用手柄套入位于机构右下部的操作转轴，顺时针旋转手柄至“咔哒”一声（此时储能指示转轴将储能微动顶至完全闭合状态）储能到位。电动操作时，机构上电后将自动运行储能，储能到位后电机回路断开，储能保持，等待释能合闸（电动操作时必须保证二次线路准确无误）。

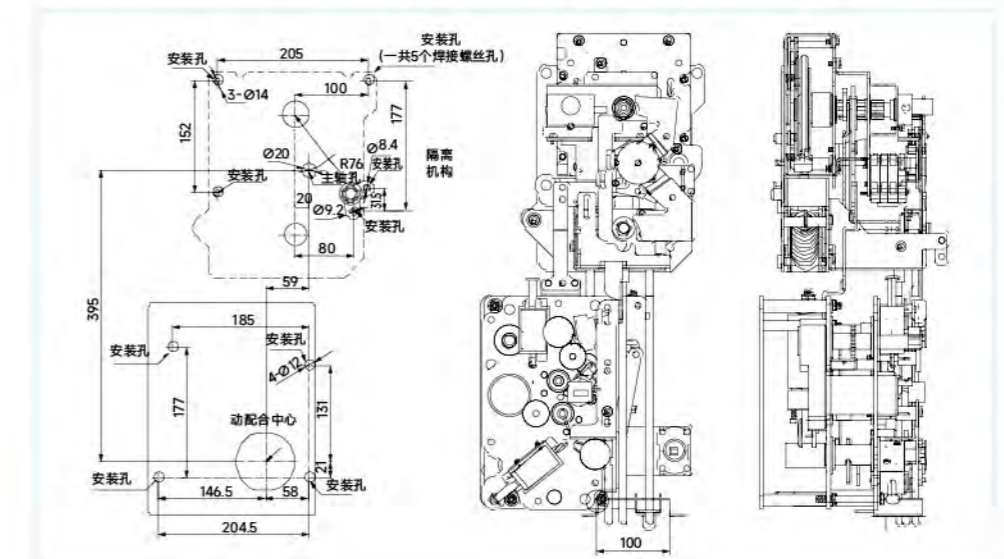
○ 合闸操作:

手动操作时手动按绿色按钮，瞬间释放合闸储能，机构推动断路器开关完成主回路合闸。电动操作时给合闸电磁铁线圈上电，由合闸电磁铁瞬间动作释放储能，机构推动断路器开关完成主回路合闸，同时对分闸弹簧进行储能（此时可继续储能但在防误联锁的作用下无法进行再次合闸操作）。

○ 分闸操作:

手动操作时手动按红色按钮，瞬间释放分闸储能，机构推动断路器开关完成主回路分闸。电动操作时给分闸电磁铁线圈上电，由分闸电磁铁瞬间动作释放储能，机构推动断路器开关完成主回路分闸。

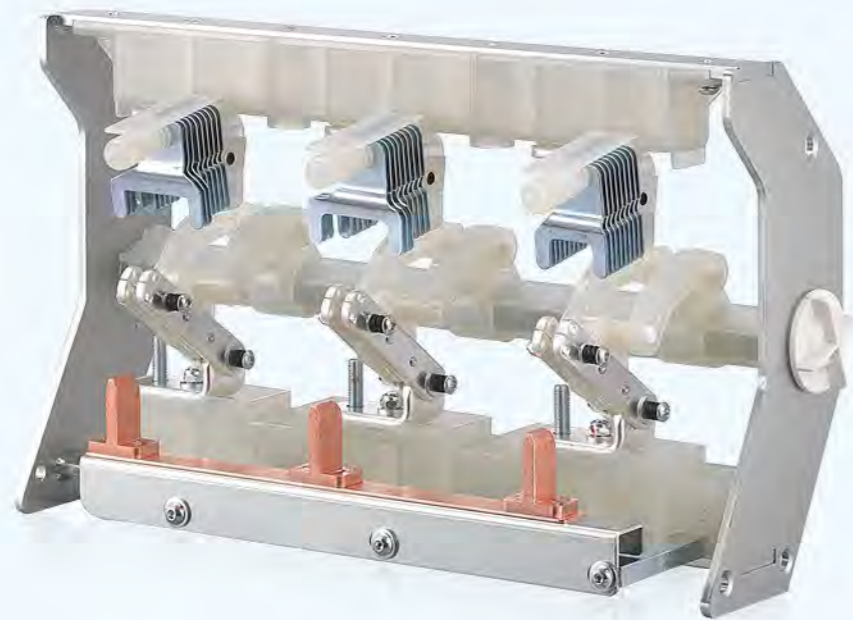
外形及安装尺寸图 Outline and installation dimension drawing



RHK-12D/630-20

负荷开关

LOAD SWITCH



国网 / 南网中标企业优质供应商



产品概述 Summary

RHK-12D/630-20 负荷开关符合 GB 3804-2017《3.6kV~40.5kV 高压交流负荷开关》、GB16926-2009《交流高压负荷开关—熔断器组合电器》和 GB/T 1985-2023《高压交流隔离开关和接地开关》等相关标准规范的要求。主回路短时耐受电流满足 20kA(4s)、25kA(3s)，负荷开关机械寿命 5000 次。接地开关短时耐受电流满足 20kA(4s)，机械寿命 3000 次。

The RHK-12D/630-20 load switch complies with the relevant requirements of GB3804-2004 "3.6kV~40.5kV High Voltage AC load switch" and GB16926-1997 "AC high Voltage load switch and Fuse combination Electrical Appliances". The short-time withstand current of the main circuit meets 20kA (4s) or 25kA (3s), the mechanical life of the Load switch is 5000 times. The short-term withstand current of the earthing switches meets 20kA (4s), and the mechanical life is 3000 times.

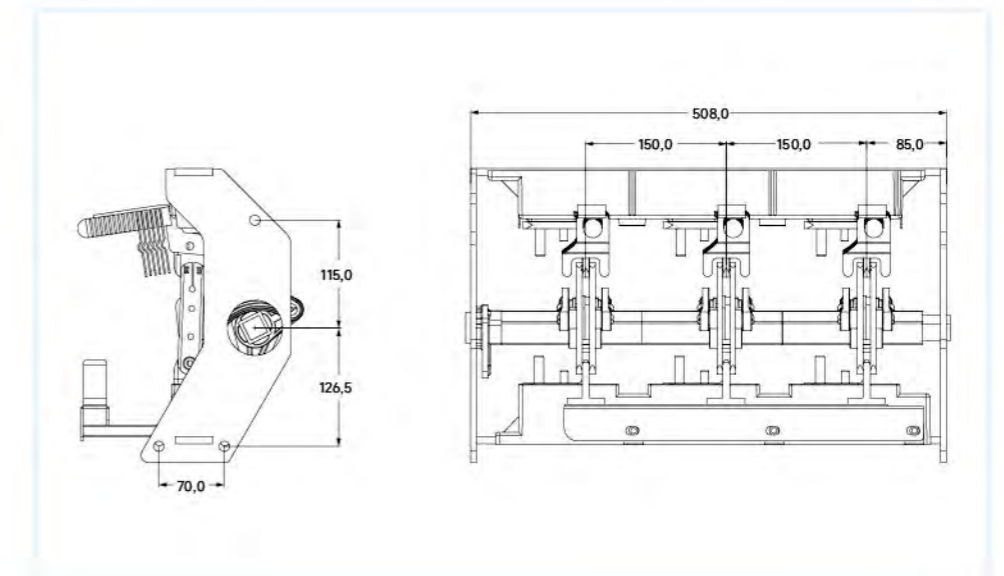
型号及其含义 Model and meaning

RH	K	12	D	630	20
企业代号 Company code	负荷开关 Load switch	额定电压 Rated voltage	接地型式 Earthing type	额定电流 Rated current	短时耐受电流 Short-term withstand current

主要技术参数 Main technical parameters

序号 Serial Number	内容 Content	单位 Company	技术参数 Technical Parameter
1	额定频率 Rated frequency	Hz	50
2	额定电流 Rated current	A	630
3	额定短时耐受电流 Rated short-time Withstand current	KA	20/25
4	额定短路持续时间 Rated Duration of Short-circuit	S	4
5	额定短路关合电流 Rated Short-circuit Making Current	KA	50

外形及安装尺寸图 Outline and installation dimension drawing



RHK-12D/800-20

负荷开关

LOAD SWITCH



国网 / 南网中标企业优质供应商



产品概述 Summary

RHK-12D/800-20 负荷开关符合 GB 3804-2017《3.6kV-40.5kV 高压交流负荷开关》、GB16926-2009《交流高压负荷开关—熔断器组合电器》和 GB/T 1985-2023《高压交流隔离开关和接地开关》等相关标准规范的要求。主回路短时耐受电流满足 20kA(4s)、25kA(3s)，负荷开关机械寿命 5000 次。接地开关短时耐受电流满足 20kA(4s)，机械寿命 3000 次。

RHK-12D/800-20 load switch complies with the relevant requirements of GB3804-2004 "3.6kV-40.5kV High Voltage AC load switch" and GB16926-1997 "AC high Voltage load switch and Fuse combination Electrical Appliances". The short-time withstand current of the main circuit meets 20kA (4s) or 25kA (3s), the mechanical life of the Load switch is 5000 times. The short-term withstand current of the earthing switches meets 20kA (4s), and the mechanical life is 3000 times.

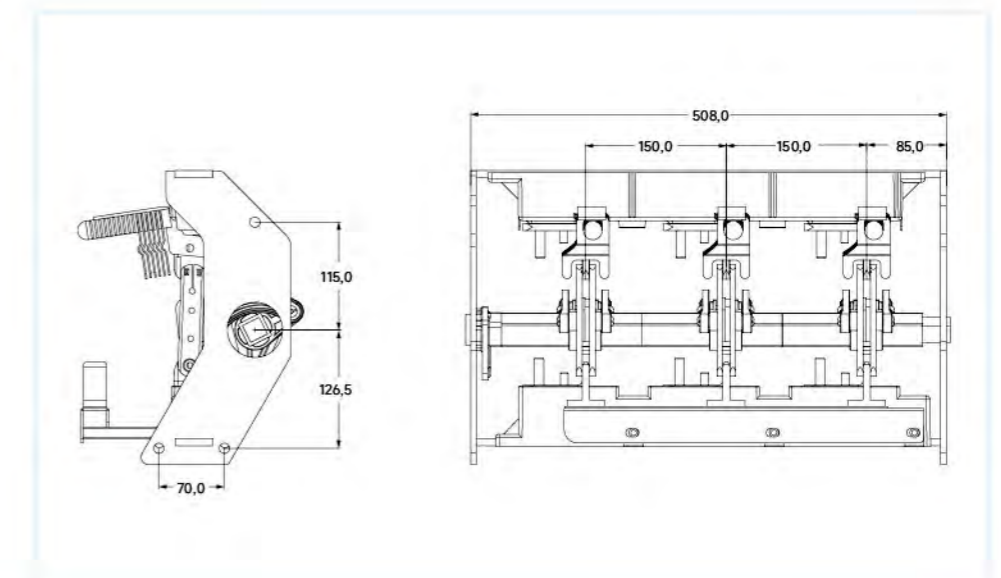
型号及其含义 Model and meaning

RH	K	12	D	800	20
企业代号 Company code	负荷开关 Load switch	额定电压 Rated voltage	接地型式 Earthing type	额定电流 Rated current	短时耐受电流 Short-term withstand current

主要技术参数 Main technical parameters

序号 Serial Number	内容 Content	单位 Company	技术参数 Technical Parameter
1	额定频率 Rated frequency	Hz	50
2	额定电流 Rated current	A	800
3	额定短时耐受电流 Rated short-time Withstand current	KA	20/25
4	额定短路持续时间 Rated Duration of Short-circuit	S	4
5	额定短路关合电流 Rated short circuit closing current	KA	50

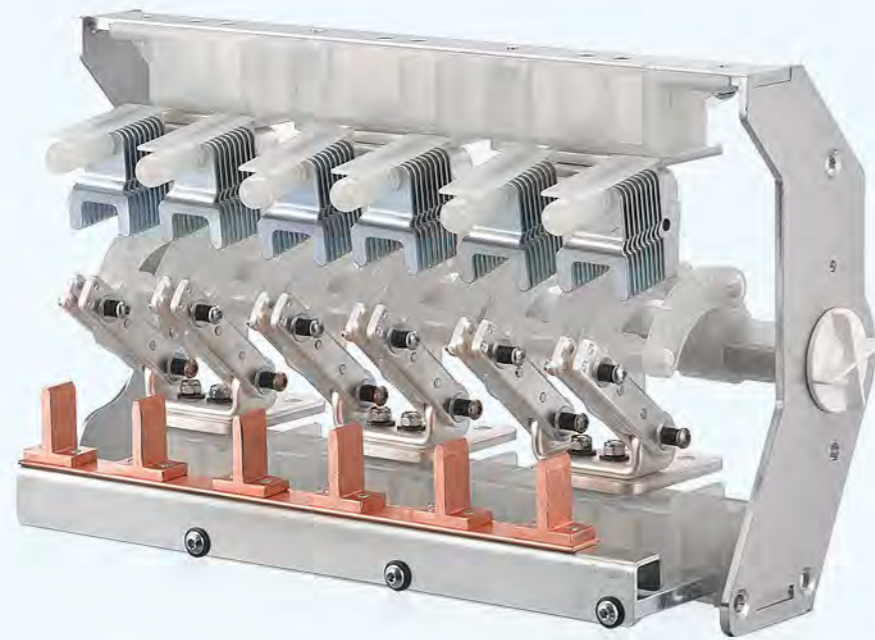
外形及安装尺寸图 Outline and installation dimension drawing



RHK-12D/1250-20

负荷开关

LOAD SWITCH



国网 / 南网中标企业优质供应商



产品概述 Summary

RHK-12D/1250-20 负荷开关符合 GB 3804-2017《3.6kV~40.5kV 高压交流负荷开关》、GB16926-2009《交流高压负荷开关-熔断器组合电器》和 GB/T 1985-2023《高压交流隔离开关和接地开关》等相关标准规范的要求。主回路短时耐受电流满足 20kA(4s)、25kA (3s)，负荷开关机械寿命 3000 次。接地开关短时耐受电流满足 20kA(4s)，机械寿命 3000 次。

RHK-12D/1250-20 load switch complies with the relevant requirements of GB3804-2004 "3.6kV~40.5kV High Voltage AC load switch" and GB16926-1997 "AC high Voltage load switch and Fuse combination Electrical Appliances". The short-time withstand current of the main circuit meets 20kA (4s) or 25kA (3s), the mechanical life of the Load switch is 5000 times. The short-term withstand current of the earthing switches meets 20kA (4s), and the mechanical life is 3000 times.

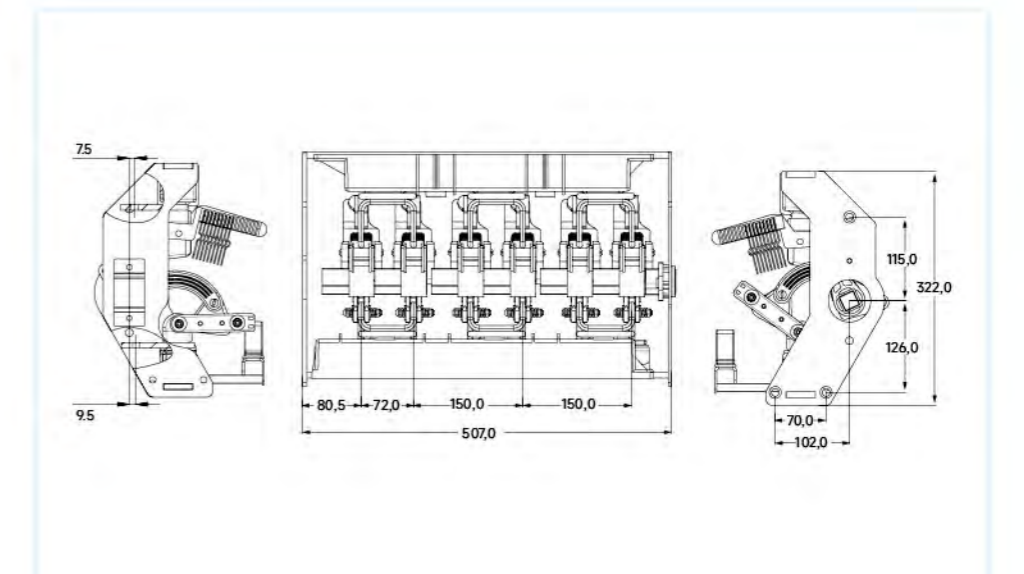
型号及其含义 Model and meaning

RH	K	12	D	1250	20
企业代号 Company code	负荷开关 Load switch	额定电压 Rated voltage	接地型式 Earthing type	额定电流 Rated current	短时耐受电流 Short-term withstand current

主要技术参数 Main technical parameters

序号 Serial Number	内容 Content	单位 Company	技术参数 Technical Parameter
1	额定频率 Rated frequency	Hz	50
2	额定电流 Rated current	A	1250
3	额定短时耐受电流 Rated short-time Withstand current	KA	20/25
4	额定短路持续时间 Rated Duration of Short-circuit	S	4
5	额定短路关合电流 Rated Short-circuit Making	KA	50

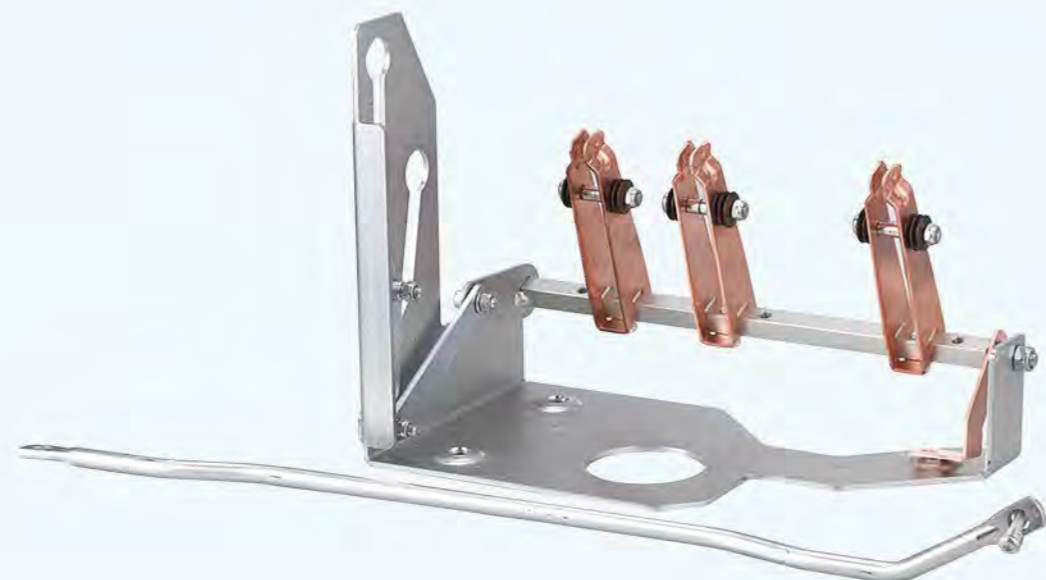
外形及安装尺寸图 Outline and installation dimension drawing



RHJD-12

接地开关

EARTHING SWITCH



国网 / 南网中标企业优质供应商



产品概述 Summary

RHJD-12 接地开关是当组合电器熔断器熔断后，更换熔断器时，下接地可以有效的将变压器侧的残余电荷消除，保证更换熔断器时的人身安全。

RHJD-12 earthing switch is that when the fuse is blown, the lower ground can effectively eliminate the residual charge on the transformer side, and ensure the personal safety when replacing the fuse.

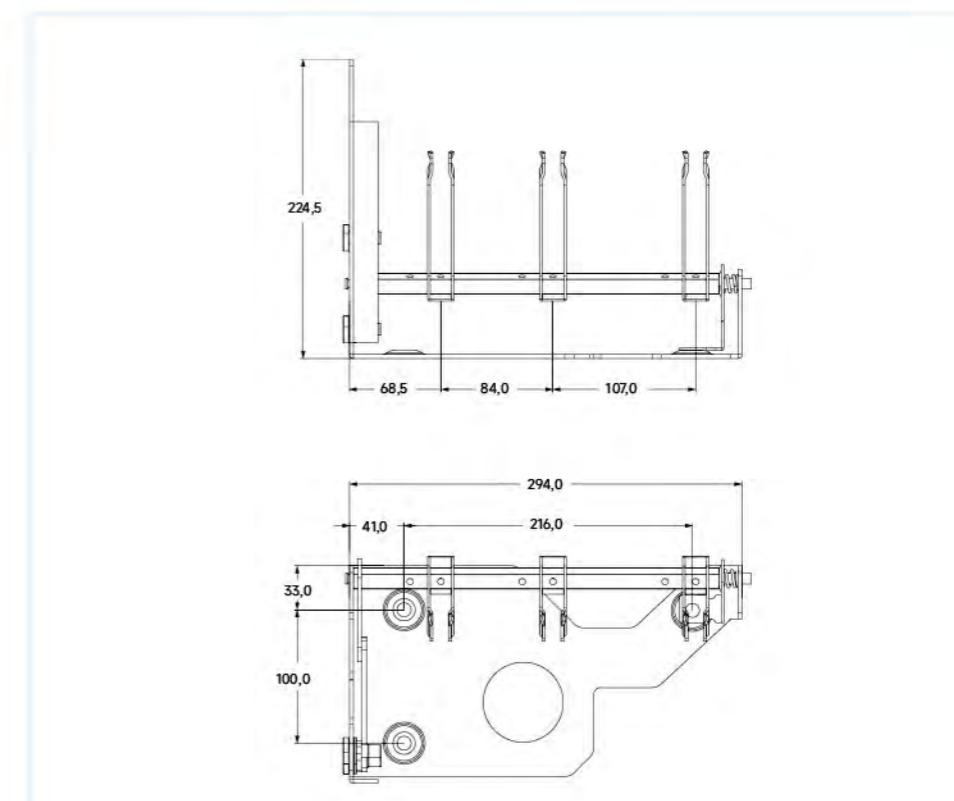
型号及其含义 Model and meaning

RH	JD	12
企业代号 Company code	接地开关 Earthing switch	额定电压 Rated voltage

使用操作说明 Operation instructions

- 1、接地开关分闸：将操作手把插入接地开关操作孔内，逆时针转动可分闸。
- 2、负荷开关操作孔内，顺时针转动（电动操作按下合闸按钮）可合闸。
- 3、采用扇形触头时，下接地开关接地触头装配为 1、4、6 位置。
- 4、采用铜排搭接时，下接地开关接地触头装配为 2、3、5 位置。

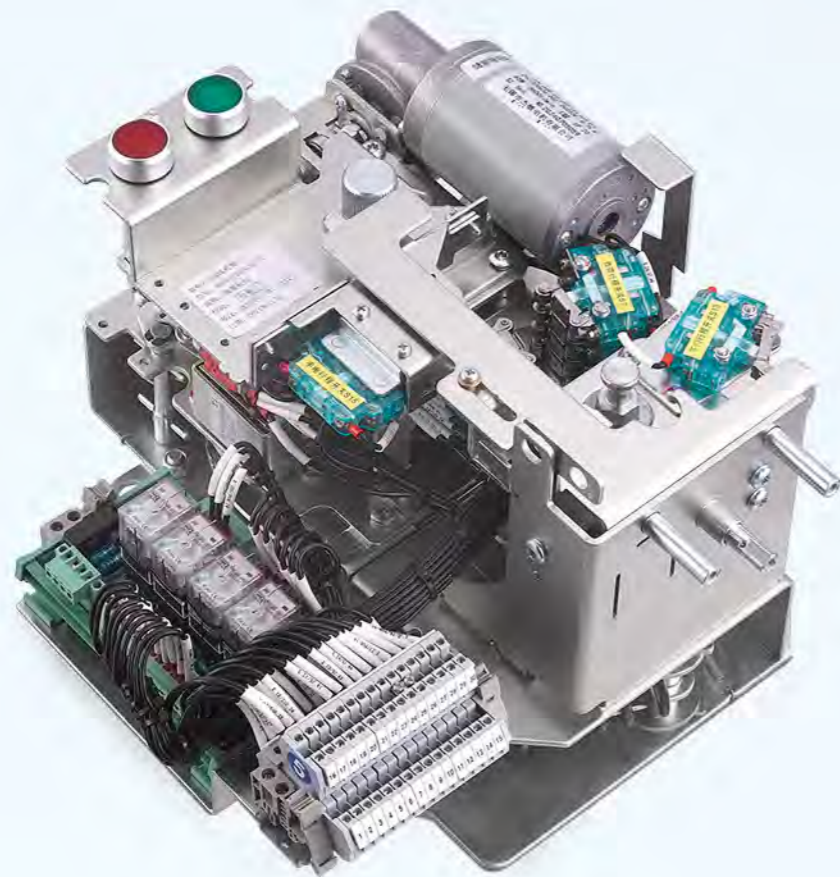
外形及安装尺寸图 Outline and installation dimension drawing



RHFM-12D/630-20

出线机构

SWITCH-FUSE COMBINATIONS
OPERATING DEVICE



国网 / 南网中标企业优质供应商



产品概述 Summary

RHFM-12D/630-20 电动操作方案，采用线路板式端子化集成，机构的电动操作由控制器内的继电器触点转换实现，属于经济型电操方案。本系列产品全检合格后出厂，符合 GB 16926-2009《高压交流负荷开关-熔断器组合电器》等相关标准规范的要求。

Rfm-12d /630-20 electric operation scheme, using line plate terminal integration, the electric operation of the mechanism is realized by the relay contact conversion in the controller, which belongs to the economic electrical operation scheme. This series of products after the full inspection. The product complies with the requirements of relevant standards and specifications such as GB 16926-2009 " High-voltage alternating current switch-fuse combinations".

型号及其含义 Model and meaning

RH	FM	12	D	630	20
企业代号 Company code	出线机构 switch-fuse combinations operating device	负荷开关 额定电压 Load-breaking switch rated voltage	接地开关 Earthing switch	负荷开关额定电流 Load-breaking switch rated current	负荷开关额定短时 耐受电流 Load-breaking switch rated short- time withstand current

使用操作说明 Operation instructions

○ 合闸操作:

手动合闸：机构上柜安装固定，将机构专用手柄套入位于机构上部的操作转轴，顺时针旋转手柄约 90°，机构涡卷双弹簧压缩蓄力完成储能，按下合闸按钮，合闸蓄力弹簧被释能，负荷开关主回路在机构释能动力下完成合闸。电动合闸：开关柜面板按钮给出合闸信号，机构控制器将自动判别负荷开关的分合位以及各联锁回路状态，若各回路状态达到可以合闸的条件，控制器启动合闸电磁铁释能，实现负荷开关主回路瞬间合闸。

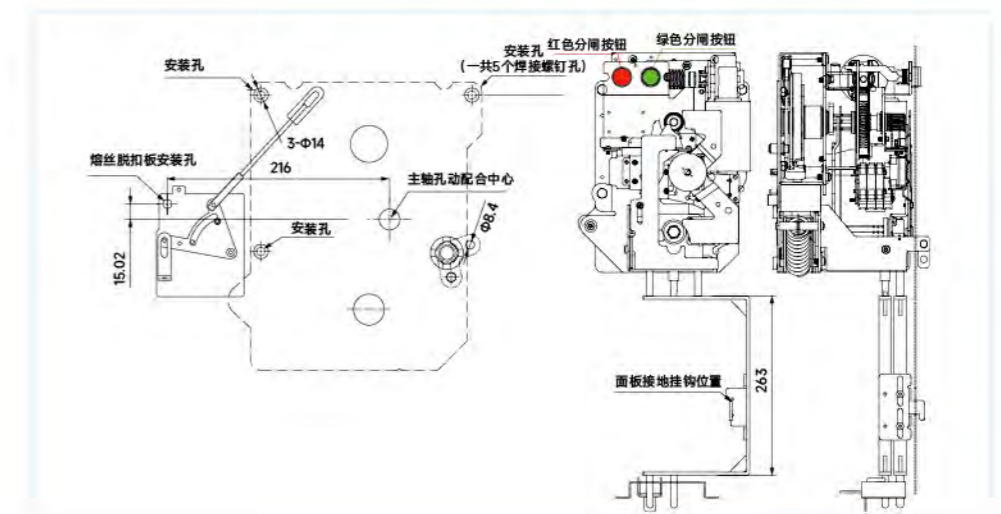
○ 分闸操作:

手动分闸：按下分闸按钮释能，在释能动力下推动负荷开关完成主回路分闸动作。电动分闸：开关面板按钮给出分闸信号，控制器将自动判别负荷开关的分合位以及各联锁回路状态，若各回路状态达到可以分闸的条件，控制器自动启动分闸电磁铁释能，实现负荷开关主回路分闸。机构在分闸状态时可以进行主回路合闸或者接地合闸操作。

○ 接地合闸与分闸:

接地合闸：将机构专用手柄套入机构下部的接地操作转轴上，顺时针旋转约 90°，接地蓄力弹簧在压缩过中点时瞬间释能推动接地开关完成接地合闸，此时机构联锁锁止，无法进行主回路合闸。接地分闸：将机构专用手柄套入机构下部的接地操作转轴上，逆时针旋转约 90°，接地蓄力弹簧在压缩过中点时瞬间释能推动接地开关完成接地分闸，此时机构联锁为打开状态，可以对负荷开关进行合分闸操作。

外形及安装尺寸图 Outline and installation dimension drawing



LOOKING TO THE **FUTURE** 展望未来

容合人努力将 RHELE 品牌打造成为国内充气柜、环保柜、常压柜核心部件领先品牌。实现“做输配电领域国内一流的集成供应商，引领国内设备制造业的进步，为社会提供经济、安全可靠的电网”的愿景。

Ronghe people strive to build the RHELE brand into a leading brand of core components of inflatable cabinets, environmental protection cabinets, and atmospheric pressure cabinets in CHINA. Realize the vision of “being a domestic first-class integrated supplier in the field of power transmission and distribution, leading the progress of domestic equipment manufacturing, and providing society with an economical, safe and reliable power grid”.



RHELE